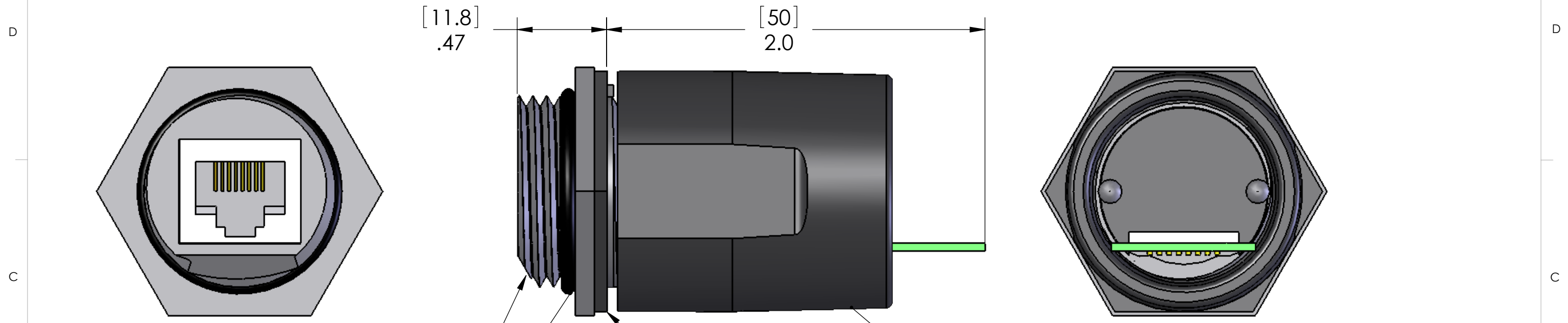
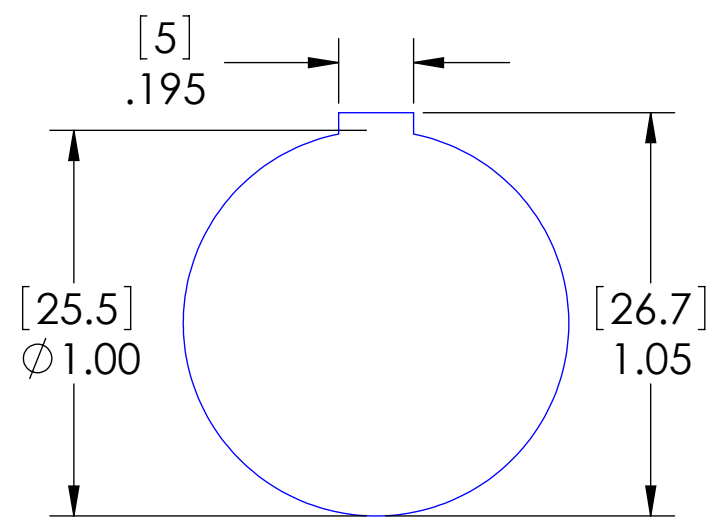


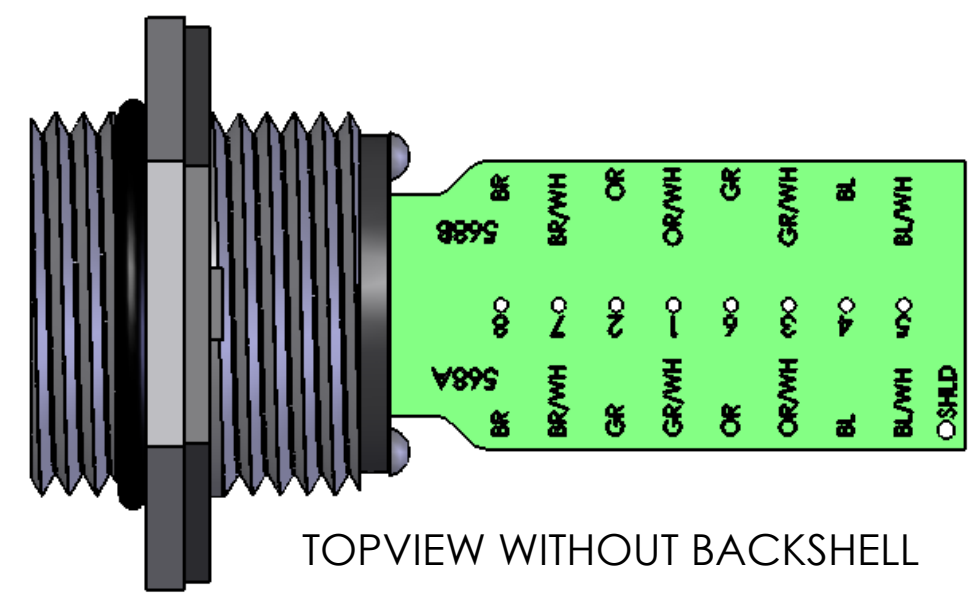
REVISIONS			
REV.	DESCRIPTION	DATE	APPROVED
A	INITIAL RELEASE	2/4/2008	



1"-14UNC THREAD  
 ORING  
 .062" THICK GASKET  
 BACKSHELL ALSO SERVES AS A JAM NUT



PANEL CUTOUT



TOPVIEW WITHOUT BACKSHELL

MATERIALS / SPECIFICATIONS:	
BODY:	POLYAMIDE
BACKSHELL:	POLYAMIDE
O-RING:	BUNA-N
GASKET:	BUNA-N
SEAL:	IP67
TIA/EIA RATING:	CAT 5e
TEMP RATING:	-20°C - 80°C
AMPS:	1.5A
VOLTS:	125VDC
MIN PANEL THICKNESS:	.056"
MAX PANEL THICKNESS:	.187"

**PROPRIETARY AND CONFIDENTIAL**  
 THE INFORMATION CONTAINED IN THIS DRAWING IS THE SOLE PROPERTY OF MENCOM CORPORATION. ANY REPRODUCTION IN PART OR AS A WHOLE WITHOUT THE WRITTEN PERMISSION OF MENCOM CORPORATION IS PROHIBITED.

UNLESS OTHERWISE SPECIFIED:		NAME		MENCOM CORPORATION	
DIMENSIONS ARE IN INCHES		DRAWN	BEM	TITLE:	
TOLERANCES:		CHECKED		SIZE DWG. NO.	
FRACTIONAL ±1/64		ENG APPR.		<b>B</b> E45V3-8FR-FW-M25	
ANGULAR: MACH ±5° BEND ±5°		MFG APPR.		REV	
TWO PLACE DECIMAL ±.01		Q.A.		<b>A</b>	
THREE PLACE DECIMAL ±.004		COMMENTS:		SCALE: 2:1 WEIGHT: SHEET 1 OF 1	
MATERIAL					
FINISH					
DO NOT SCALE DRAWING					