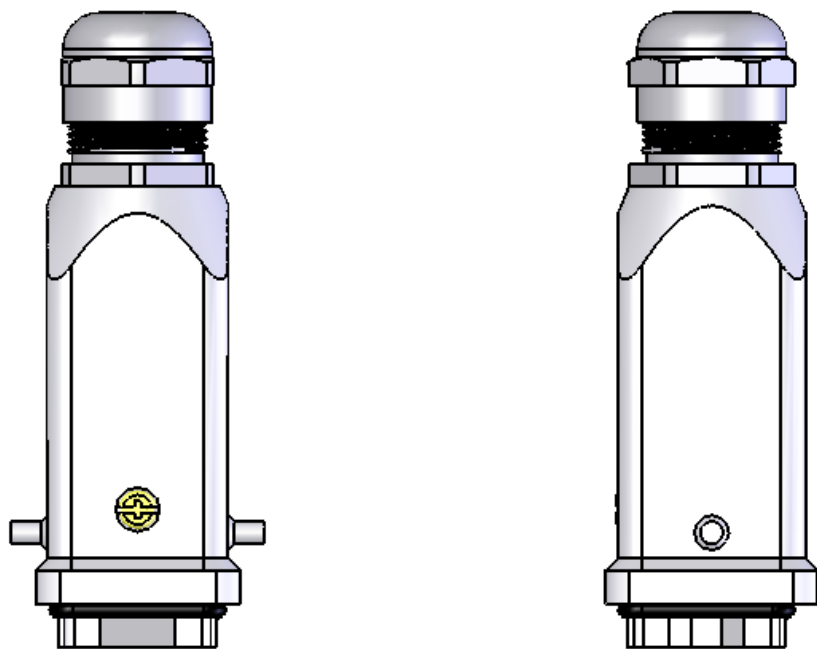


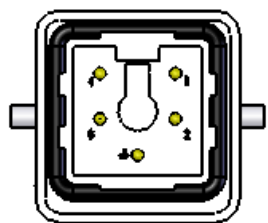
ITEM NO.	PART NUMBER	DESCRIPTION	QTY.
1	CKA-03VS		1
2	MCG-11	METAL CABLE GLAND, PG13.5	1
3	LABEL	KIMDURA 4X1 LABEL	1
4	CKM-04		1
5	211M	PG11 METAL LOCKING NUT	-1
6	CKR-65	SCREW & WASHER	1

REVISIONS			
REV.	DESCRIPTION	DATE	APPROVED
A	REDRAWN IN SW	9/21/2005	BEM

REMOVE AND DISCARD
SCREW AND LOCKWASHER
FROM CKM-04 AND USE
CKR-65



INDIVIDUALLY BAG
AND LABEL BAG



HOUSING MATERIALS	
BODY:	EPOXY COATED DIE CAST ALUMINUM
GASKET:	THERMOPLASTIC ELASTOMER
LEVERS:	STAINLESS STEEL
INSERT:	SELF-EXTINGUISHING THERMOPLASTIC

UNLESS OTHERWISE SPECIFIED:	NAME
DIMENSIONS ARE IN INCHES AND [MM]	DRAWN CAM
	CHECKED
	ENG APPR.
	MFG APPR.
	Q.A.
MATERIAL	COMMENTS:
FINISH	
DO NOT SCALE DRAWING	

MENCOM CORPORATION		
TITLE:		
SIZE	DWG. NO.	REV
B	Z1-TP-M	A
SCALE: 1:1	WEIGHT:	SHEET 1 OF 1

PROPRIETARY AND CONFIDENTIAL
THE INFORMATION CONTAINED IN THIS DRAWING IS THE SOLE PROPERTY OF MENCOM CORPORATION. ANY REPRODUCTION IN PART OR AS A WHOLE WITHOUT THE WRITTEN PERMISSION OF MENCOM CORPORATION IS PROHIBITED.