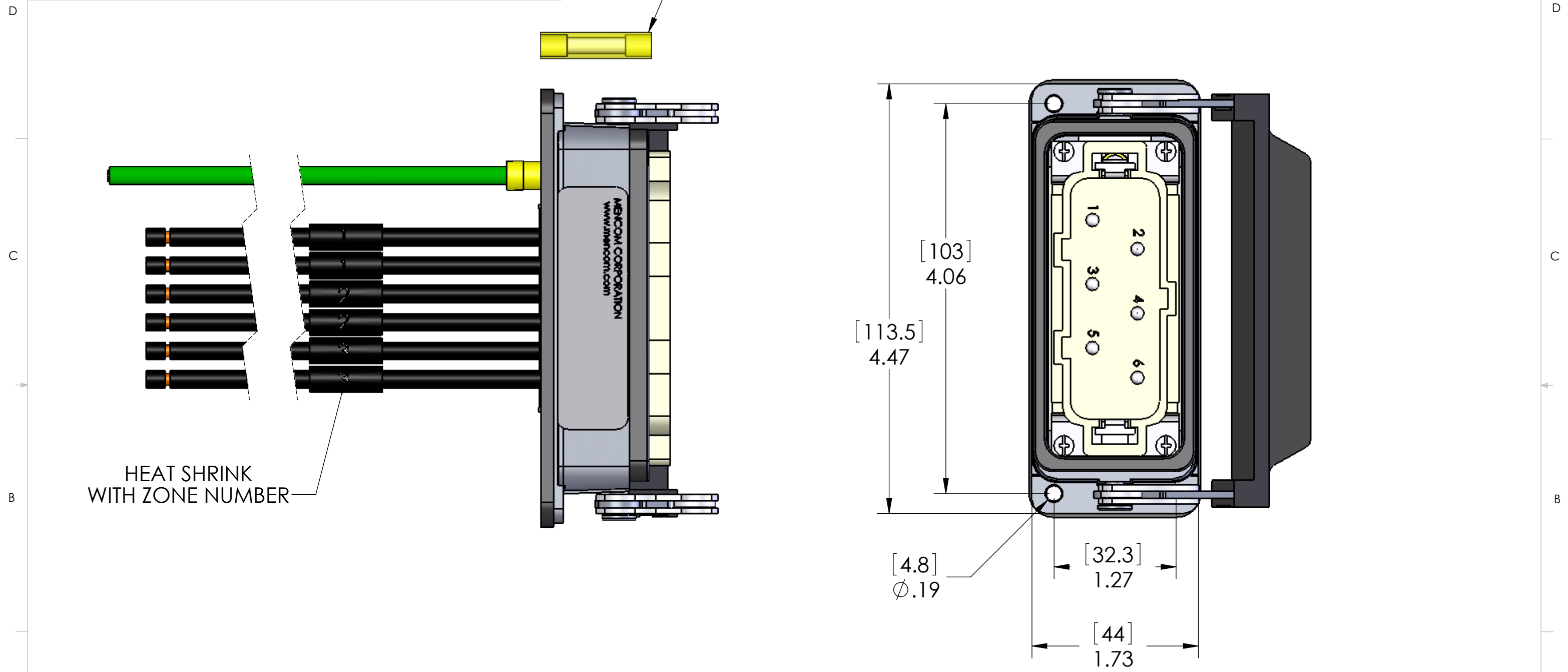


H.S. #	COLOR CODE	ZONE	WIRING CONNECTIONS
1	BLACK	1	PIN # 1 & 2
2	BLACK	2	PIN # 3 & 4
3	BLACK	3	PIN # 5 & 6

REVISIONS			
REV.	DESCRIPTION	DATE	APPROVED
A	REDRAWN IN SW	8/8/2006	

TWENTY (20) Z-NBS-10 BUTT SPLICES ARE INCLUDE WITH PART



HEAT SHRINK WITH ZONE NUMBER

MATERIALS:	
BODY:	EPOXY COATED CAST ALUMINUM
HANDLE:	STAINLESS STEEL WITH POLYAMIDE
INSERT:	THERMOPLASTIC RESIN, UL 94V-0
CONTACTS:	SILVER PLATED COPPER ALLOY
WIRE:	10AWG UL1015
GASKET:	NBR

PROPRIETARY AND CONFIDENTIAL
 THE INFORMATION CONTAINED IN THIS DRAWING IS THE SOLE PROPERTY OF MENCOM CORPORATION. ANY REPRODUCTION IN PART OR AS A WHOLE WITHOUT THE WRITTEN PERMISSION OF MENCOM CORPORATION IS PROHIBITED.

UNLESS OTHERWISE SPECIFIED:		NAME		MENCOM CORPORATION		
DIMENSIONS ARE IN INCHES AND [MM]		DRAWN	DWM			
MATERIAL		CHECKED		TITLE:		
		ENG APPR.				
		MFG APPR.				
		Q.A.				
FINISH		COMMENTS:		SIZE	DWG. NO.	REV
DO NOT SCALE DRAWING				B	Z23-HP-MS	A
				SCALE: 1:1	WEIGHT:	SHEET 1 OF 1