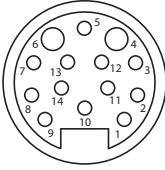


MIN Series Size I Receptacles

1/2"-14 NPT Threads ❖ Metric Threads ❖ 18, 22 AWG

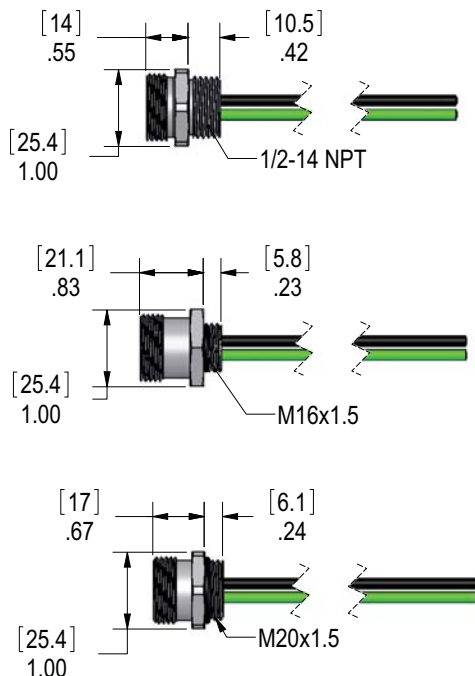
Face View of Male	# of Poles	Color Code	Wire AWG Rating	Thread Type	Length	Male Receptacles	Female Receptacles
	14	1-Gray w/ Pink	18/2	1/2" NPT	12"	MIN-14MR-1	MIN-14FR-1
		2-White w/ Green			1M	MIN-14MR-1M	MIN-14FR-1M
		3-White w/ Yellow			2M	MIN-14MR-2M	MIN-14FR-2M
		4-Brown*	300V	M16 x 1.5	12"	MIN-14MR-1-M16	MIN-14FR-1-M16
		5-Brown w/ Yellow			1M	MIN-14MR-1M-M16	MIN-14FR-1M-M16
		6-Blue*			2M	MIN-14MR-2M-M16	MIN-14FR-2M-M16
		7-Yellow	---	M20 X 1.5	12"	MIN-14MR-1-M20	
		8-Green	1M		MIN-14MR-1M-M20		
		9-Pink	2M		MIN-14MR-2M-M20		
		10-White	300V	M20 X 1.5	12"	MIN-14MR-1-M20	
		11-Red w/ Blue			1M	MIN-14MR-1M-M20	
		12-Brown w/ Green			2M	MIN-14MR-2M-M20	
		13-Gray	2A		12"	MIN-14MR-1-M20	
		14-Red			1M	MIN-14MR-1M-M20	

*Note: Pins 4 and 6 have 18 AWG wires. Other lengths are available, please consult the factory.

Specifications:

Shell: Clear Anodized Aluminum
 Insert: Black Polyamide
 Wire: 18 & 22 AWG: UL Style 1007/1569, 300V
 Contacts: Copper Alloy with Gold Plating
 Seal: NBR
 O-Ring: Metric Receptacles Only: BUNA-N
 Temperature: -40°C to 80°C (-40°F to +176°F)
 Protection: IP 67

Male Receptacle



Female Receptacle

