

MIN Series Size II Receptacles

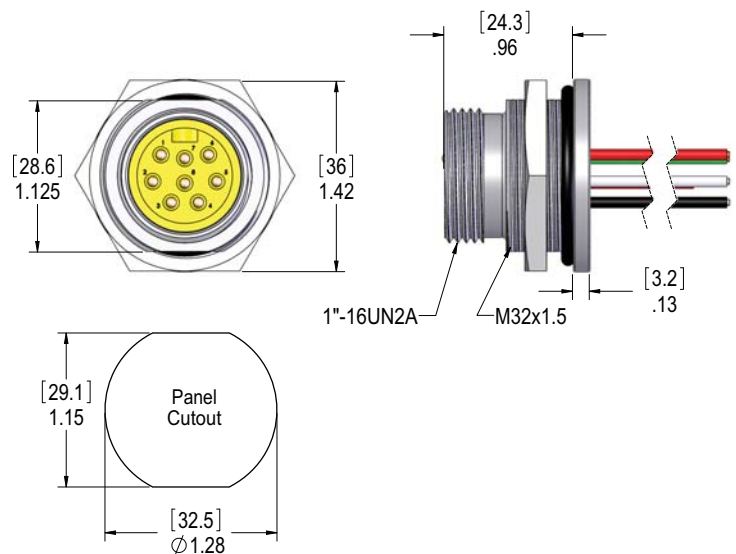
North American Color Code ❖ Back Mount ❖ 18 & 22 AWG

Face View of Male	# of Poles	Color Code	Rating	Wire AWG	Male Receptacles	Female Receptacles
	6	1-Orange 2-Blue 3-Black 4-White 5-Red 6-Green/Yellow	300V 5.5A	18	MIN-6MR2-1-18-BM	MIN-6FR2-1-18-BM
			300V 3A	22	MIN-6MR2-.5-22-BM	MIN-6FR2-1-22-BM
	7	1-White w/ Black 2-Black 3-White 4-Red 5-Orange 6-Blue 7-Green/Yellow	300V 5A	18	MIN-7MR2-1-18-BM	MIN-7FR2-1-18-BM
			300V 3A	22	MIN-7MR2-.5-22-BM	MIN-7FR2-1-22-BM
	8	1-Orange 2-Blue 3-White w/ Black 4-Black 5-White 6-Red 7-Green/Yellow 8-Red w/ Black	300V 5A	18	MIN-8MR2-1-18-BM	MIN-8FR2-1-18-BM
			300V 3A	22	MIN-8MR2-.5-22-BM	MIN-8FR2-1-22-BM

12" leads are standard (6" standard on male 22 AWG). Longer lead lengths are available, please consult the factory for part numbers. For Stainless Steel versions, add a "-SS" suffix (e.g. MIN-7MR2-1-18-BM becomes MIN-7MR2-1-18-BM-SS)

Specifications:

- Shell: Clear Anodized Aluminum or Stainless Steel
- Insulator: 105° C, Oil Resistant Yellow PVC
- Wire: 18 & 22 AWG
UL Style 1007/1569, 300V
- Contacts: Copper Alloy with Gold Plating
- Temperature: -40°C to +105°C (-40°F to +221°F)
- Protection: IP 67
- Approvals: U.S.: UL Recognized
Canada: C-UL Recognized



MIN Series Size II Receptacles