

MIN Series Size III Receptacles

North American Color Code ❖ European PG Threads ❖ 18, 22 AWG 300V

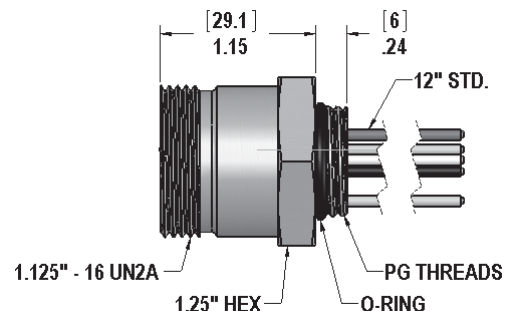


Face View of Male	# of Poles	Color Code	Wire AWG Rating	Threads	Male Receptacles	Female Receptacles	
	9	1-Orange 2-Blue 3-Red w/ Black 4-Green w/ Black 5-White	6-Red 7-Green/Yellow 8-White w/ Black 9-Black	18 300V 4A	PG 13.5 PG 16	MIN-9MR-1-18-PG13.5 MIN-9MR-1-18-PG16	MIN-9FR-1-18-PG13.5 MIN-9FR-1-18-PG16
				22 300V 3A	PG 13.5 PG 16	MIN-9MR-1-22-PG13.5 MIN-9MR-1-22-PG16	MIN-9FR-1-22-PG13.5 MIN-9FR-1-22-PG16
	10	1-Orange 2-Blue 3-White w/ Black 4-Red w/ Black 5-Green w/ Black	6-Orange w/ Black 7-Red 8-Green/Yellow 9-Black 10-White	18 300V 4A	PG 13.5 PG 16	MIN-10MR-1-18-PG13.5 MIN-10MR-1-18-PG16	MIN-10FR-1-18-PG13.5 MIN-10FR-1-18-PG16
				22 300V 3A	PG 13.5 PG 16	MIN-10MR-1-22-PG13.5 MIN-10MR-1-22-PG16	MIN-10FR-1-22-PG13.5 MIN-10FR-1-22-PG16
	12	1-Orange 2-Blue 3-White w/ Black 4-Red w/ Black 5-Green w/ Black 6-Orange w/ Black	7-Blue w/ Black 8-Black w/ White 9-Green/Yellow 10-Red 11-White 12-Black	18 300V 4A	PG 13.5 PG 16	MIN-12MR-1-18-PG13.5 MIN-12MR-1-18-PG16	MIN-12FR-1-18-PG13.5 MIN-12FR-1-18-PG16
				22 300V 3A	PG 13.5 PG 16	MIN-12MR-1-22-PG13.5 MIN-12MR-1-22-PG16	MIN-12FR-1-22-PG13.5 MIN-12FR-1-22-PG16
	19	1-Violet 2-Red 3-Gray 4-Red w/ Blue 5-Blue 6-Green 7-Brown 8-White w/ Green 9-White w/ Yellow 10-White w/ Gray	11-Black 12-Green/Yellow 13-Yellow w/ Brown 14-Brown w/ Green 15-White 16-Yellow 17-Pink 18-Gray w/ Brown 19-Gray w/ Pink	18/3 300V 8A & 22/16 300V 3A	PG 13.5 PG 16	MIN-19MR-1-PG13.5 MIN-19MR-1-PG16	MIN-19FR-1-PG13.5 MIN-19FR-1-PG16

12" leads are standard. Longer lead lengths are available, please consult the factory for part numbers. Other wire gauges and color codes are available, please consult the factory. Note: For the 19 Pin, Pins 5, 7, and 12 have 18 AWG wires. Lock Nut is included on lengths of 18 inches or longer.

Specifications:

Shell: Clear Anodized Aluminum
 Insulator: 105° C, Oil Resistant Yellow PVC
 Wires: 18 & 22 AWG: UL Style 1007/1569, 300V
 Contacts: Copper Alloy with Gold Plating
 O-Ring: BUNA-N
 Temperature: -40°C to +105°C (-40°F to +221°F)
 Protection: IP 67
 Approvals: U.S.: UL Recognized
 Canada: C-UL Recognized
 19 Pole: U.S.: UL Pending
 Canada: C-UL Pending



MIN Series Size III Receptacles