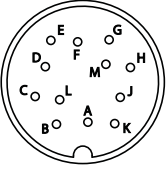
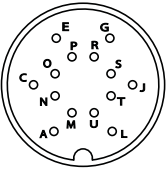


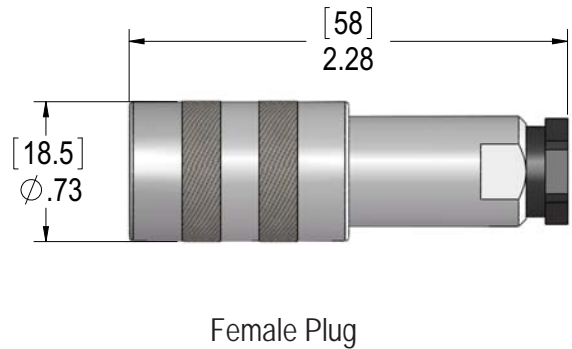
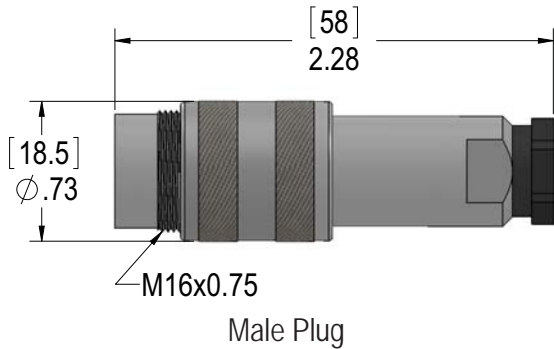
MCL Series M16 Field Wireable Plugs

24 - 28 AWG 60V ❖ PG 7 & PG 9

Face View of Male	# of Poles	Wire AWG Rating	PG Size	Cable O.D.	Male Plug	Female Plug
	12	24 - 28 AWG 60V 3A	PG 7 PG 9	4 - 6 mm 6 - 8 mm	MCL-12MP-FW07 MCL-12MP-FW09	MCL-12FP-FW07 MCL-12FP-FW09
	14	24 - 28 AWG 60V 3A	PG 7 PG 9	4 - 6 mm 6 - 8 mm	MCL-14MP-FW07 MCL-14MP-FW09	MCL-14FP-FW07 MCL-14FP-FW09

Specifications:

- Body: Nickel Plated Brass
- Contacts: Copper Alloy with Gold Plating
- Insert: PBT
- Termination: Solder Cup 24 - 28 AWG
- Temperature: -30°C to +95°C (-22°F to +203°F)
- Protection: IP 67



MCL Series