

# MCL Series M16 Receptacles

Solder Cup ❖ Back Mount Solder Cup

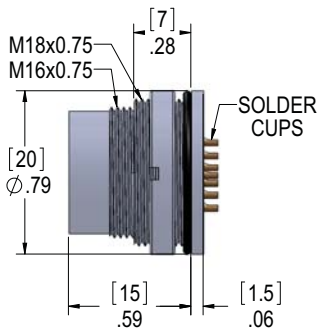
Solder Cup: Front Mount Version				
Face View of Male	# of Poles	Wire AWG Rating	Male Receptacles	Female Receptacles
	12	24 - 28 AWG 60V 3A	MCL-12MR-M18-SC MCL-12MR-M18-SC	MCL-12FR-M18-SC MCL-12FR-M18-SC
	14	24 - 28 AWG 60V 3A	MCL-14MR-M18-SC MCL-14MR-M18-SC	MCL-14FR-M18-SC MCL-14FR-M18-SC

Solder Cup: Back Mount Version				
Face View of Male	# of Poles	Wire AWG Rating	Male Receptacles	Female Receptacles
	12	24 - 28 AWG 60V 3A	MCL-12MR-M18-BM-SC MCL-12MR-M18-BM-SC	MCL-12FR-M18-BM-SC MCL-12FR-M18-BM-SC
	14	24 - 28 AWG 60V 3A	MCL-14MR-M18-BM-SC MCL-14MR-M18-BM-SC	MCL-14FR-M18-BM-SC MCL-14FR-M18-BM-SC

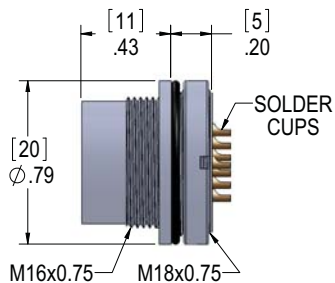
**Specifications:**

Shell: Nickel Plated Zinc Diecast  
 Contacts: Copper Alloy with Gold Plating  
 Lock Nut: Nickel Plated Brass  
 O-Ring: NBR

Insert: PBT  
 Temperature: -30°C to +85°C (-22°F to +185°F)  
 Protection: IP 67

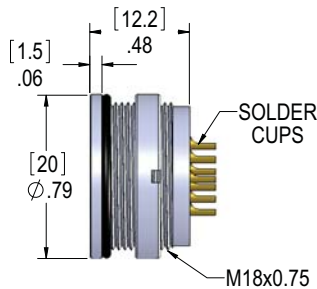


Front Mount

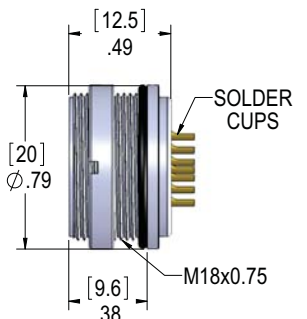


Back Mount

Male Receptacles



Front Mount



Back Mount

Female Receptacles