

**cable passing hoods**  
degree of protection IP54



**cable passing housings**



description

part No.

part No.

with pegs for two levers  
- 3 holes for round cables  $\varnothing 5 \div 13.5$  mm  
- 4 holes for round cables  $\varnothing 5 \div 13.5$  mm

**CYR 16.3**  
**CYR 24.4**

with two levers  
- for hoods CYR 16.3  
- for hoods CYR 24.4

**CHI 16**  
**CHI 24**

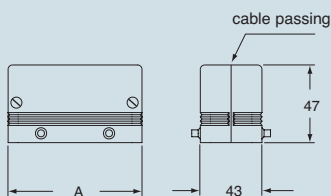
**CYR enclosures for round cables**

The CYR enclosures are used in installations that require a passage for round cables for data transmission (e.g. computers or PLC) via equipment such as command or control panels, ensuring a good condition of the cable connections.

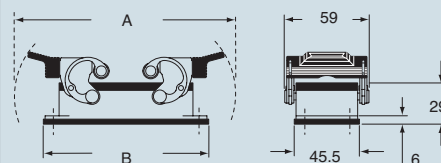
The enclosures are in two parts and have sealing gaskets to preserve the degree of protection of the equipment. The enclosures also contain a rapid cable block device.

The CYR 16.3 and 24.4 can be used with the bulkhead enclosures CHI 16 and CHI 24 respectively.

dimensions in mm



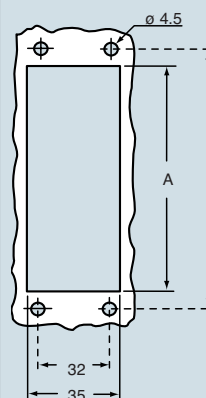
dimensions in mm



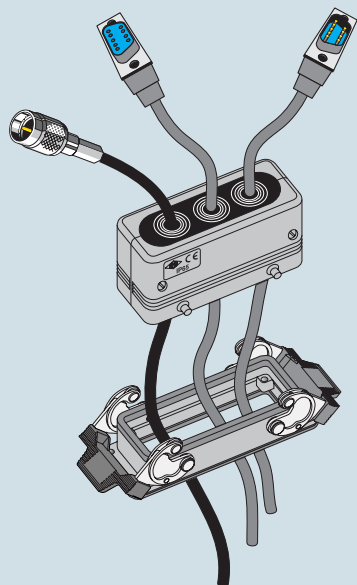
part No.	A	grommet entry	nr.
<b>CYR 16.3</b>	93.5	$\varnothing 5 / 13.5$	3
<b>CYR 24.4</b>	120	$\varnothing 5 / 13.5$	4

part No	A	B
<b>CHI 16</b>	153	115.5
<b>CHI 24</b>	179.5	142.5

CHI housings panel cut-out in mm



part No	A	B
<b>CHI 16</b>	86	103
<b>CHI 24</b>	112	130



**CALUS**® Type 4/4X/12

(certification being applied for CYR 16.3 and CYR 24.4)

dimensions indicated are not binding and may be changed without notice

CYR