

enclosures:
size "77.27"from page 198

inserts with screw fixing centre distance:
77.5 x 27 mm

N.B.: the enclosures ensure IP66 protection (or IP65 cover versions) rating when mated and locked with the closing levers.
The door only ensures mechanical protection, but does not ensure IP65 protection rating.

enclosures for in-line joints
degree of protection IP65



bulkhead housings
for in-line joint

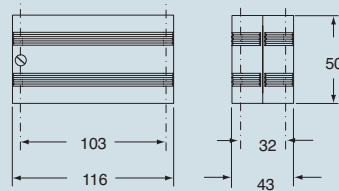


description	part No.	part No.
without housings (to be ordered separately) made in two halves	CYG 16	
use with CYG for in-line joint - with one lever, without cover - with one lever and cover - with two levers - with pegs - with pegs and aluminium cover - with pegs and plastic cover		CHI 16 L CHI 16 LS CHI 16 CHI 16 C CHI 16 CS CHI 16 CP

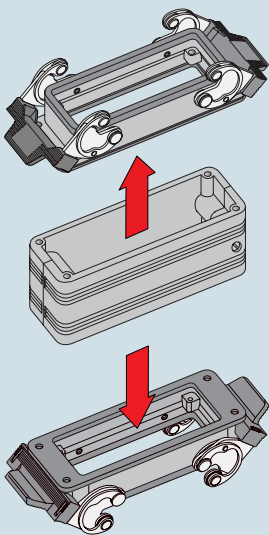
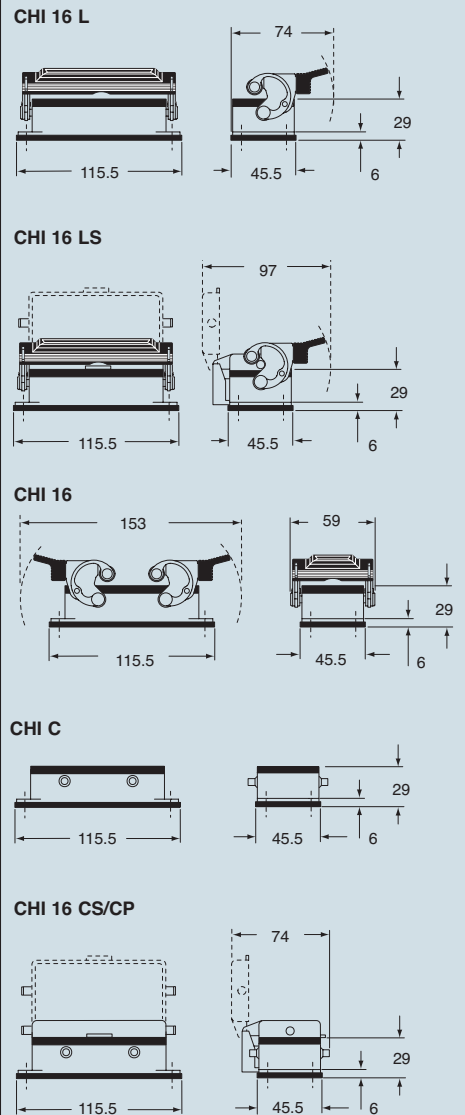
CYG 16 in-line joint
 - the joint is made with the CYG 16 enclosure and two bulkhead housings "size 77.27" with one or two levers (to be ordered separately).
 - the joint is ideal for use with extension connections and/or as adaptor.
 - made in two halves to facilitate conductor cabling.
 - two inserts in various combinations may be inserted in the joint (to be ordered separately):

- » female/female inserts (as adaptor joint)
- » male/male inserts (as adaptor joint)
- » female/male inserts (as extension joint)

dimensions in mm



dimensions in mm



CALUS® Type 4/4X/12
(certification being applied for CYG 16)

dimensions indicated are not binding
and may be changed without notice