

inserts:	page
CD .....	40, 64 poles + ⊕ 43-45
CDD .....	24, 42, 72, 108 poles + ⊕ 53-58
CQE .....	10, 18, 32, 46 poles + ⊕ 74-77
CN .....	6, 10, 16, 24 poles + ⊕ 80-83
CCE .....	6, 10, 16, 24 poles + ⊕ 86-92
CNE, CSE..	6, 10, 16, 24 poles + ⊕ 87-93
CSS .....	6, 10, 16, 24 poles + ⊕ 98-101
CMSE .....	3+ <sup>2</sup> , 6+ <sup>2</sup> , 10+ <sup>2</sup> poles + ⊕ 114-118
CMCE .....	3+ <sup>2</sup> , 6+ <sup>2</sup> , 10+ <sup>2</sup> , 16+ <sup>2</sup> poles + ⊕ 114-124
CME .....	3+ <sup>2</sup> , 6+ <sup>2</sup> , 10+ <sup>2</sup> , 16+ <sup>2</sup> poles + ⊕ 115-124
CP .....	6 poles + ⊕ 127
CX .....	8/24, 6/36, 12/2 poles + ⊕ 129-131
CX .....	4/0, 4/2, 4/8 poles + ⊕ 132-133
MIXO.....	2, 3, 4, 6 modules 137-151

insert centre distance:  
**44 x 27 mm, 57 x 27 mm,**  
**77.5 x 27 mm, 104 x 27 mm**

## connector carrier for faceplate mounting in window\*, snap fastening



## connector carrier baseplate for mounting on DIN EN 60715 rail or fixed mounting using screws



description	part No.	part No.
-------------	----------	----------

kit with 2 elements, for coupling of inserts with fastening centre distance (short side = 27 mm)

**COB TCQ**

kit comprising frame and mobile blocks, for insert coupling:  
 - with screw fixing centre distance of 44 x 27 mm  
 - with screw fixing centre distance of 57 x 27 mm  
 - with screw fixing centre distance of 77.5 x 27 mm  
 - with screw fixing centre distance of 104 x 27 mm

**COB 06 BC**  
**COB 10 BC**  
**COB 16 BC**  
**COB 24 BC**

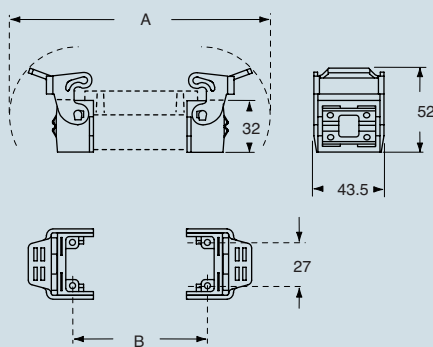
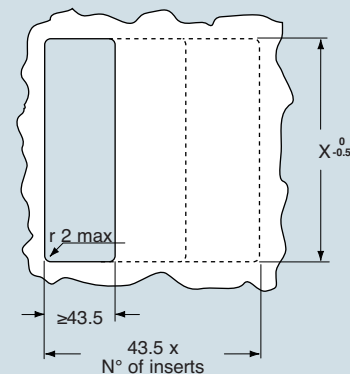
panel cut-out in mm

dimensions in mm

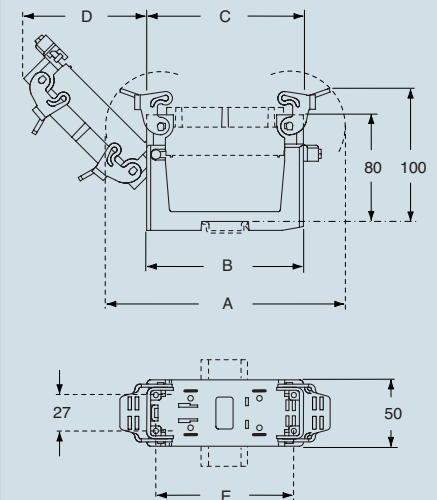
dimensions in mm

### COB TCQ

window size on plate thickness 1.3-3 mm



overall dimensions with transversal DIN rails



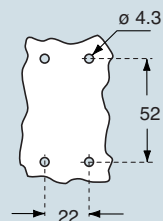
for coupling with inserts type	X <sup>0</sup>
with centre distance 44 x 27 mm	65
with centre distance 57 x 27 mm	78
with centre distance 77.5 x 27 mm	98
with centre distance 104 x 27 mm	125

### COB TCQ

for inserts	A	B
with centre distance 44 x 27 mm	120	44
with centre distance 57 x 27 mm	133	57
with centre distance 77.5 x 27 mm	153.5	77.5
with centre distance 104 x 27 mm	180	104

part No.	A	B	C	D	E
<b>COB 06 BC</b>	120	91.5	58	50	44
<b>COB 10 BC</b>	133	91.5	71	59.5	57
<b>COB 16 BC</b>	153.5	91.5	91.5	74	77.5
<b>COB 24 BC</b>	180	118	118	93	104

### COB...BC



dimensions indicated are not binding and may be changed without notice

overall dimensions without DIN rails (values with "asterisk")  
 overall dimensions with longitudinal DIN rails

