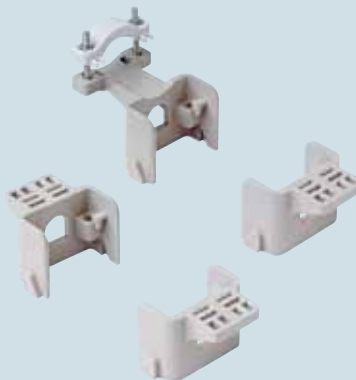


inserts:	page
CD40, 64 poles + ⊕	43-45
CDD 24, 42, 72, 108 poles + ⊕	53÷58
CQE 10, 18, 32, 46 poles + ⊕	74÷77
CN 6, 10, 16, 24 poles + ⊕	80÷83
CCE 6, 10, 16, 24 poles + ⊕	86÷92
CNE, CSE .. 6, 10, 16, 24 poles + ⊕	87÷93
CSS 6, 10, 16, 24 poles + ⊕	98÷101
CMSE 3+ ² , 6+ ² , 10+ ² poles + ⊕	114÷118
CMCE 3+ ² , 6+ ² , 10+ ² , 16+ ² poles + ⊕	114÷124
CME .. 3+ ² , 6+ ² , 10+ ² , 16+ ² poles + ⊕	115÷124
CP 6 poles + ⊕	127
CX 8/24, 6/36, 12/2 poles + ⊕	129÷131
CX 4/0, 4/2, 4/8 poles + ⊕	132÷133
MIXO 2, 3, 4, 6 modules	137÷151

insert centre distance:
44 x 27 mm, 57 x 27 mm,
77.5 x 27 mm, 104 x 27 mm

insert carrier blocks for mobile mounting



insert carrier insulated housings for mobile mounting



description	part No.	part No.
-------------	----------	----------

kit with 2 elements, for coupling of inserts with screw fixing centre distance (short side = 27 mm)
 - with handle for cable support bands
 - with handle for cable support or cable clamp bands

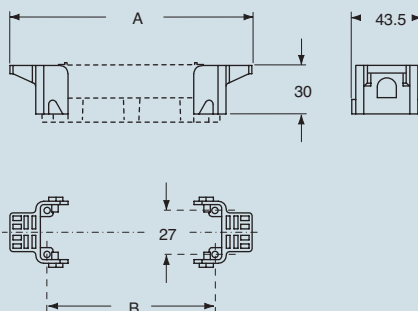
COB TSF
COB TSFS

side entry, with cable clamp for insert coupling:
 - with screw fixing centre distance of 44 x 27 mm
 - with screw fixing centre distance of 57 x 27 mm
 - with screw fixing centre distance of 77.5 x 27 mm
 - with screw fixing centre distance of 104 x 27 mm

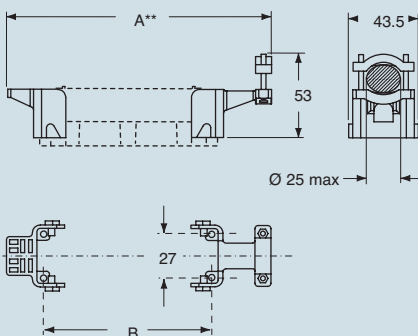
COB 06 CMS
COB 10 CMS
COB 16 CMS
COB 24 CMS

dimensioni in mm

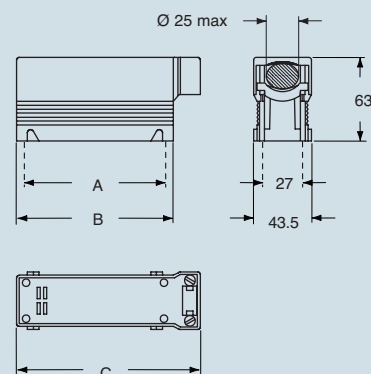
COB TSF



COB TSFS



dimensioni in mm



part No.	A	B	C
COB 06 CMS	44	58	74
COB 10 CMS	57	71	87
COB 16 CMS	77.5	91.5	107.5
COB 24 CMS	104	118	134

for inserts	A	A**	B
with centre distance 44 x 27 mm	90	104	44
with centre distance 57 x 27 mm	103	117	57
with centre distance 77.5 x 27 mm	123.5	137.5	77.5
with centre distance 104 x 27 mm	150	164	104

dimensions indicated are not binding and may be changed without notice