

insert joining block



metal replacement handles



description

part No.

part No.

made of die cast aluminium alloy to mate two inserts (see below)

CBGF

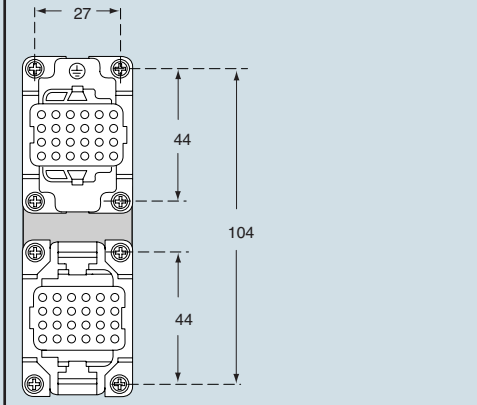
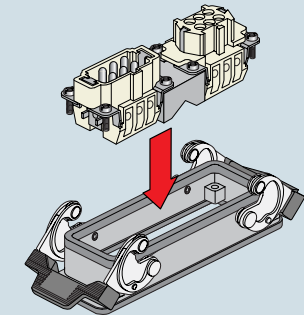
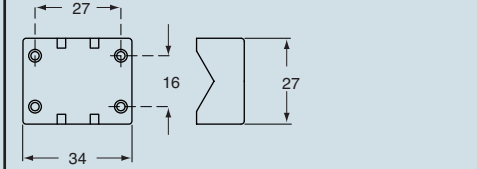
to replace thermoplastic handles
2 component kit for dual lever enclosures ¹⁾

CR TM-1

¹⁾ can only be used on dual lever enclosures sizes 57.27, 77.27 and 104.27

dimensions in mm

- CBGF combination block**
- Allows two "44.27" size" inserts to be inserted in "104.27" size" enclosures and on the following COB series items:
COB TCQ, COB 24 BC, COB TSF, COB TSFS, COB 24 CMS
 - Allows female contacts and male contacts in the same enclosure or mounting
 - Allows mixed type contacts in the same enclosure or mounting (for example, 6 poles 16A CNF + 24 poles 10A CDDF)



- enclosures (with two levers only):
- size "57.27"from page 184
 - size "77.27"from page 198
 - size "104.27"from page 212

enclosures :
size "104.27".....from page 212

panel supports:
COB.....from page 258

inserts with screw fixing centre distance:
(2x) 44 x 27 mm

dimensions indicated are not binding and may be changed without notice