

Allows two complete portable RJ45 connectors to be joined, IP65/IP67 version

**insulated version coupling,
for RJ45 connectors**

**metal version coupling,
for RJ45 connectors**



NEW



NEW

description	part No.	part No.
-------------	----------	----------

- female RJ45 coupling, 8 data contacts
- female RJ45 coupling, 8 data contacts / 2 power contacts

CYG 8 JF
CYG 8/2 JF

CYG 8 JFA
CYG 8/2 JFA

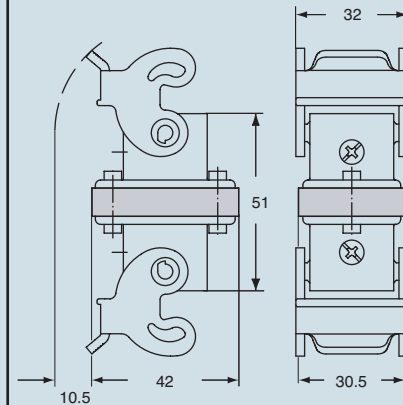
- female RJ45 coupling, 8 data contacts
- female RJ45 coupling, 8 data contacts / 2 power contacts

RJ45 connector features:

- RJ45, Class 5 connector
- nominal current: 2.1A at 70 °C
- nominal voltage: 50VDC / 35VAC
- temperature range: from -20 °C to +120 °C
- nickel plated brass screening
- insert coding pin: CR KC
- self-extinguishing properties: to UL 94V-0
- die cast zinc alloy metal enclosures
- black self-extinguishing thermoplastic insulated enclosures
- female/female socket connectors with "crossover" link

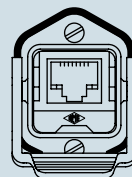
dimensions in mm

CYG 8 JF, CYG 8/2 JF



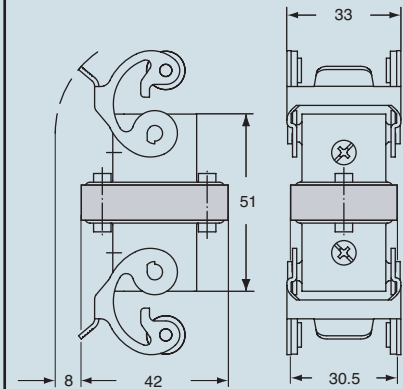
contacts side (front view)

side with reference arrow ▲



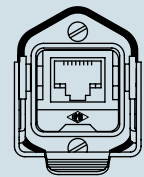
dimensions in mm

CYG 8 JFA, CYG 8/2 JFA



contacts side (front view)

side with reference arrow ▲



dimensions indicated are not binding and may be changed without notice