

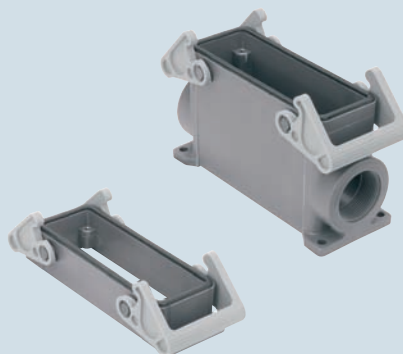


inserts:		page
CD	64 poles + ⊕	45**
CDD	108 poles + ⊕	58**
CQE	46 poles + ⊕	77**
CN	24 poles + ⊕	83**
CCE	24 poles + ⊕	92**
CNE, CSE, CSH	24 poles + ⊕	93**
CSS	24 poles + ⊕	101**
CTE, CTSE *)	24 poles + ⊕	109**
CMSE	10+2 (aux) poles + ⊕	118**
CMCE	10+2 (aux) poles + ⊕	118**
CME	10+2 (aux) poles + ⊕	119**
CME	16+2 (aux) poles + ⊕	124**
CMCE	16+2 (aux) poles + ⊕	124**
CX	4/8 poles + ⊕	133**
MIXO	6 modules	137+151**
CSH	16 poles + ⊕	8***

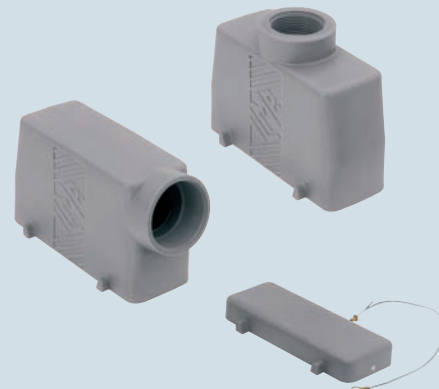
insert centre distance:
104 x 27 mm

description
bulkhead mounting housings, with lever in thermoplastic material
surface mounting housings, with lever in thermoplastic material
surface mounting housings, with lever in thermoplastic material
hoods with pegs, side entry
hoods with pegs, side entry
hoods with pegs, top entry
hoods with pegs, top entry
covers with pegs

housings with double lever



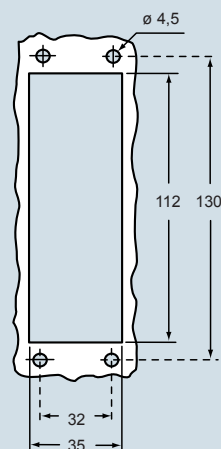
hoods with 4 pegs



part No.	entry M
TCHI 24	
TMAP 24.32	32
TMAP 24.40	40

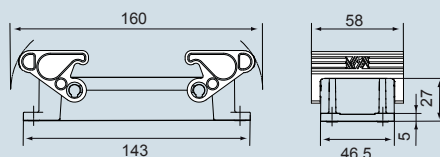
part No.	entry M
TMAO 24.32	32
TMAO 24.40	40
TMAV 24.32	32
TMAV 24.40	40
TCHC 24	

panel cut-out for bulkhead mounting housings in mm

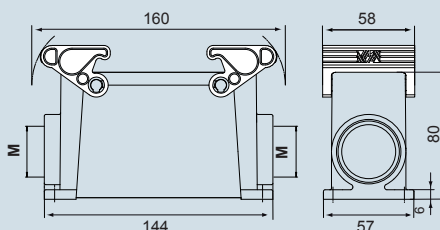


dimensions in mm

TCHI 24

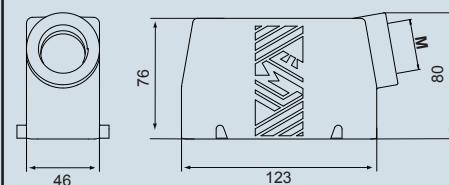


TMAP 24.32 and TMAP 24.40

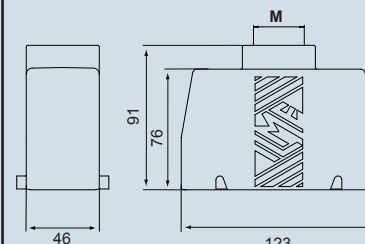


dimensions in mm

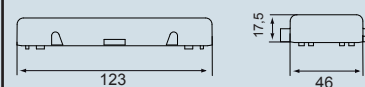
TMAO 24.32 and TMAO 24.40



TMAV 24.32 and TMAV 24.40



TCHC 24



*) only for housing TCHI
** refer to catalogue page CN.07
*** refer to catalogue page CSH

The surface mounting, high construction housings are supplied with an open threaded entry and diametrically opposite a closed threaded entry, which can be opened by the user, if required (with suitable tool).



dimensions shown are not binding and may be changed without notice