

Figure 3 (left mounting)

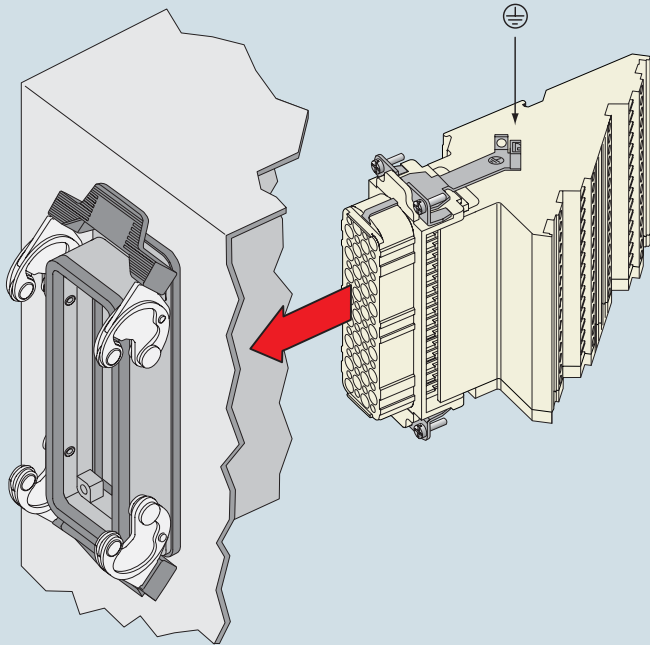


Figure 4 (right mounting)

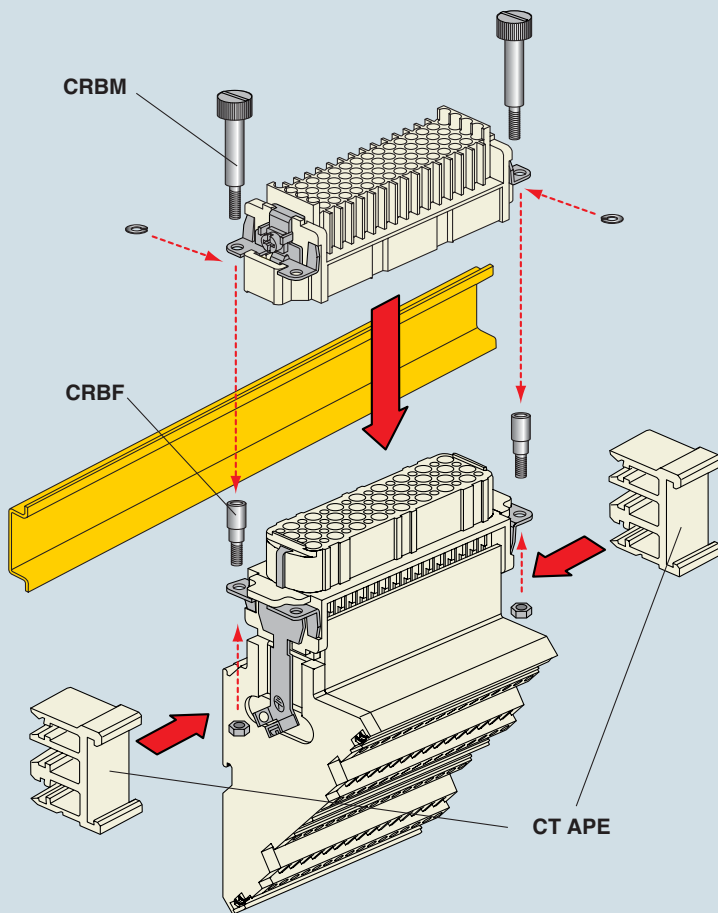
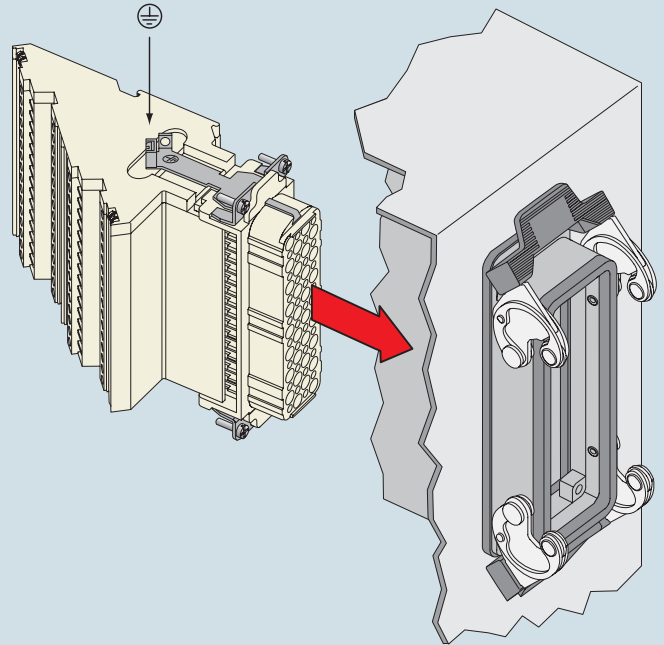
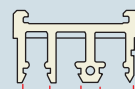


Figure 5 (mounting on DIN rail)

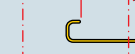


CT APE

possibility of coupling to DIN EN 60715 rail (for a greater stability of the CT inserts of 40 and 64 poles we recommend using the two CT APE supports)



**EN 60715
C 30**



**EN 60715
G 32**



**EN 60715
TH 35-7.5 and TH 35-15**

accessories for CT inserts

- support for mounting on DIN rail (**CT APE** page 263)
- inserts coupling screws (**CRBM** and **CRBF** page 263)
- cable-clamping plates (**CRAD** and **CRAS** page 263)