

enclosures¹⁾:

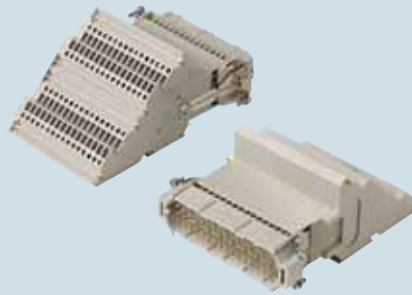
size "104.27"

standard page: 212
aggressive environments page: 223
EMC page: 224

¹⁾ only bulkhead mounted housings

- features according to EN 61984:
10A 250V 4kV 3
- UL, CSA, CCC, GL certified
- can be mated with CD inserts
- rear-mounted inserts
- for maximum current load, see the insert load curve section on page 29

**terminal block inserts
screw terminal connection**



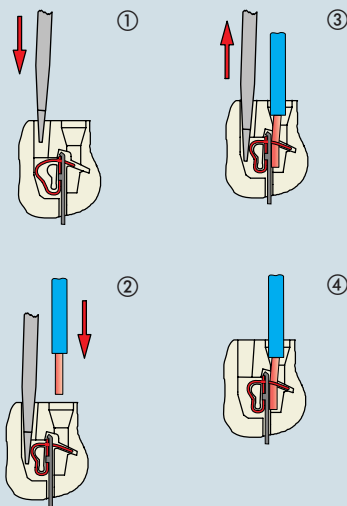
**terminal block inserts
spring terminal connection**



description	part No.	part No.	part No.	part No.
side-mounting female inserts with female contacts 1) male inserts with male contacts 1)	left CTF 64 L CTM 64 L	right CTF 64 R CTM 64 R	left CTSF 64 L CTSM 64 L	right CTSF 64 R CTSM 64 R
side-mounting female inserts with female contacts male inserts with male contacts				

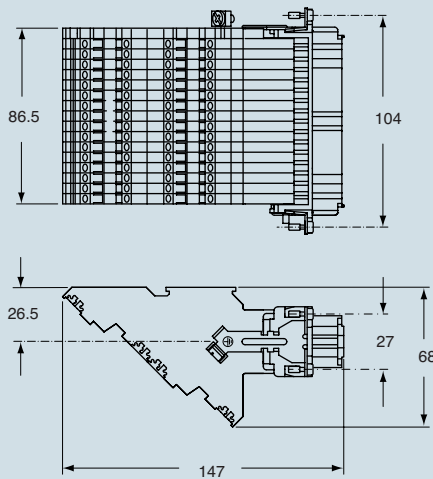
1) for non-prepared conductors

connection with spring terminal

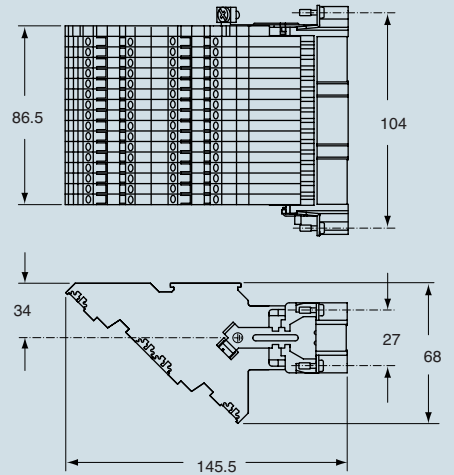


dimensions in mm

female inserts (CTF and CTSF)

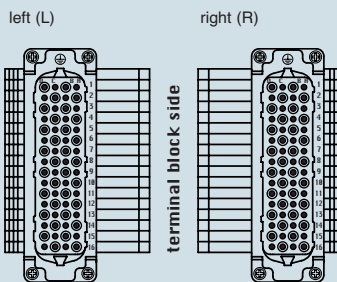


male inserts (CTM and CTSM)

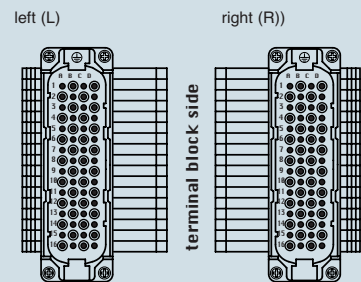


contacts side (front view)

female inserts (CTF and CTSF)



male inserts (CTM and CTSM)



- CT inserts with plate, for section conductors:
0.75 ÷ 2.5 mm² - AWG 18 ÷ 14
- torsion couple recommended for conductor fastening screws and stripping length see section feature of inserts on page 13

- CTS spring inserts for section conductors:
effective sections for non-prepared conductors
0.14 ÷ 2.5 mm² - AWG 26 ÷ 14
effective sections for prepared conductors
0.14 ÷ 1 mm² - AWG 26 ÷ 18
- stripping length see section feature of inserts on page 13

dimensions indicated are not binding and may be changed without notice