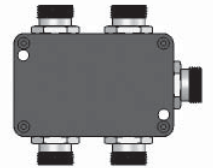


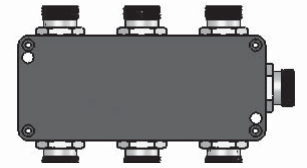


JIN Junction Blocks MIN Series

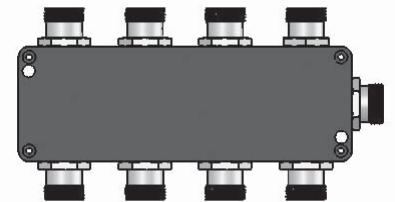
4 Port 2-4, 9, 12



6 Port 5-6, 10



8 Port 7-8, 11

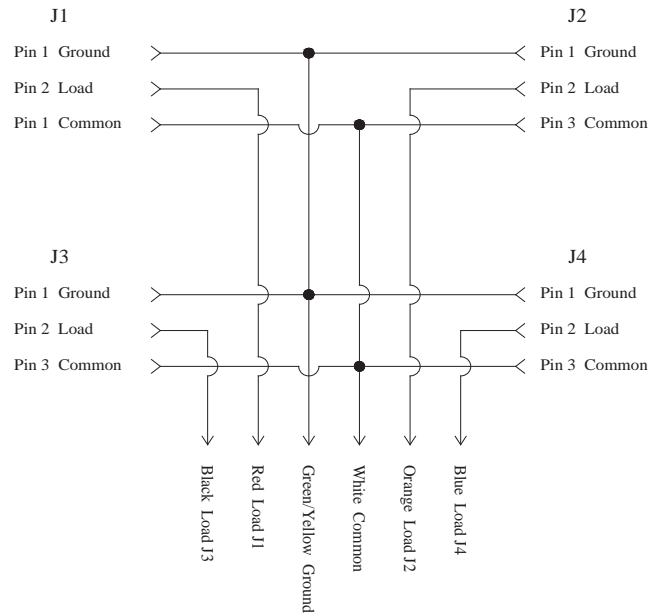
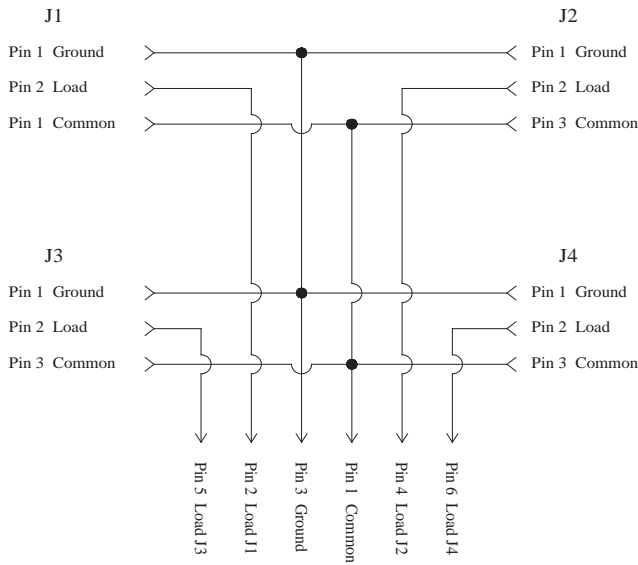


Accessories 13

JIN Junction Blocks

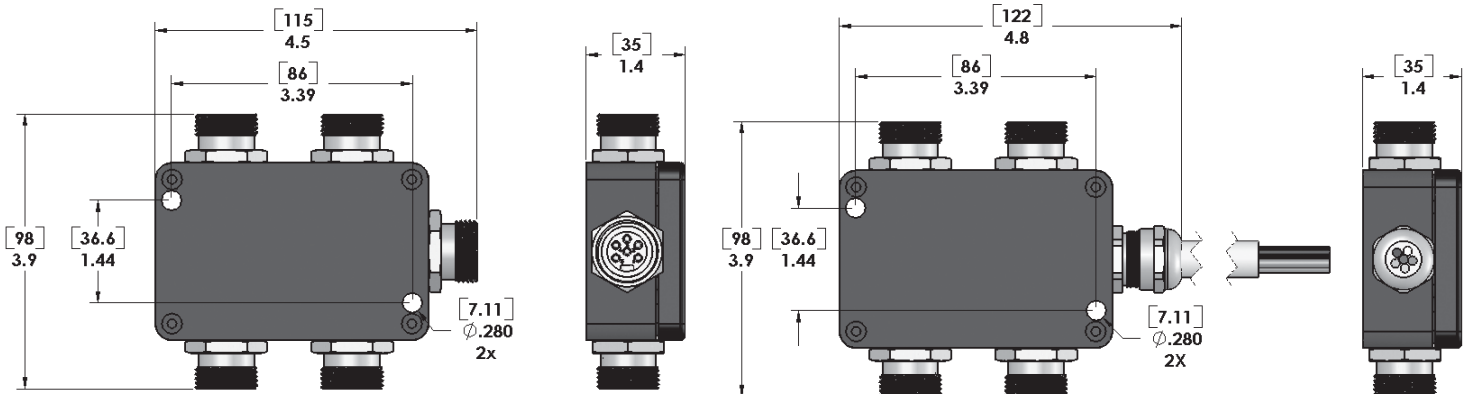
JIN Junction Blocks 4 Port ❖ 3 Pin

Standard Wiring ❖ MIN Receptacle ❖ Cable



MIN Receptacle

Cable

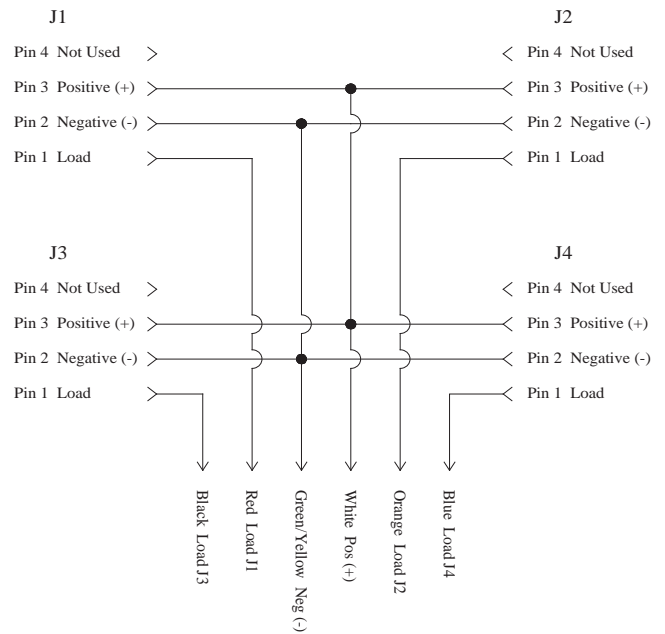
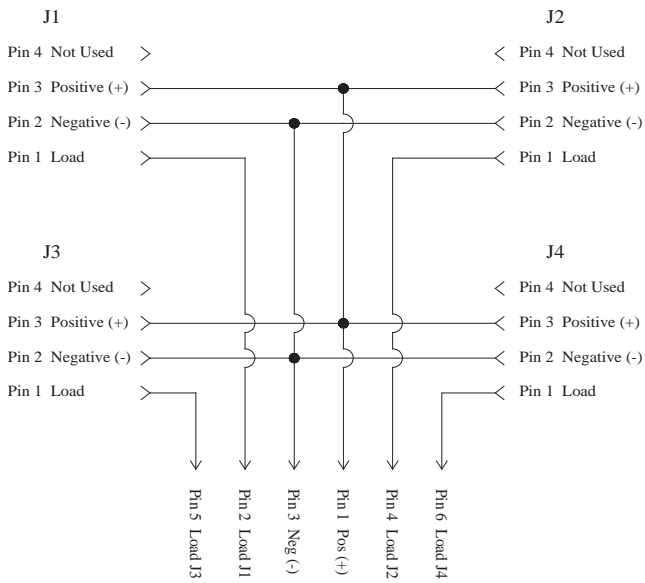


Trunk Connection	Cable Length	Part Number
MIN Receptacle	N/A	JIN-430-006-M000
Cable	3 M	JIN-430-006-C030
	6 M	JIN-430-006-C060
	10 M	JIN-430-006-C100

For Home Run Cables and Specifications please see page Q-13.

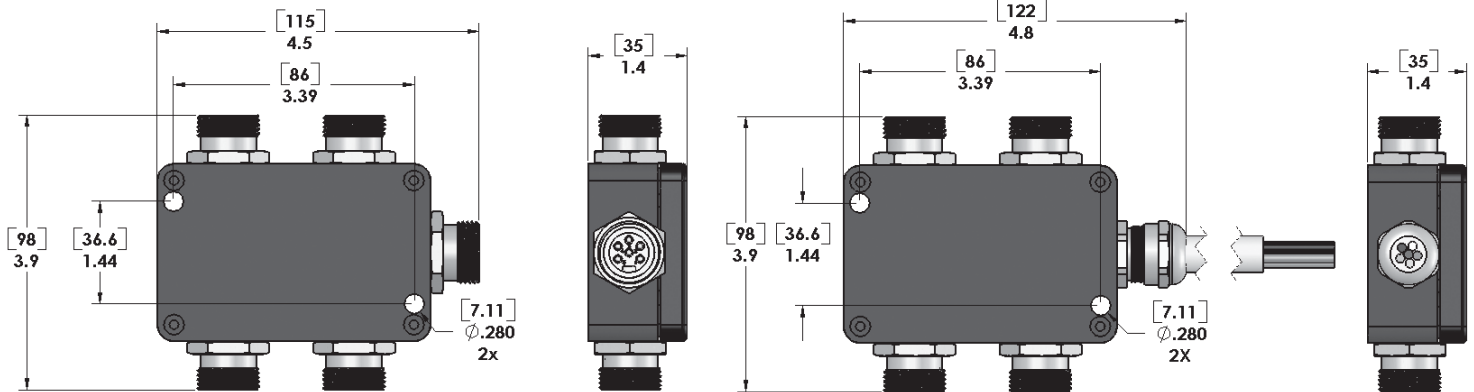
JIN Junction Blocks 4 Port ❖ 4 Pin/3 Wire

Standard Wiring ❖ MIN Receptacle ❖ Cable



MIN Receptacle

Cable



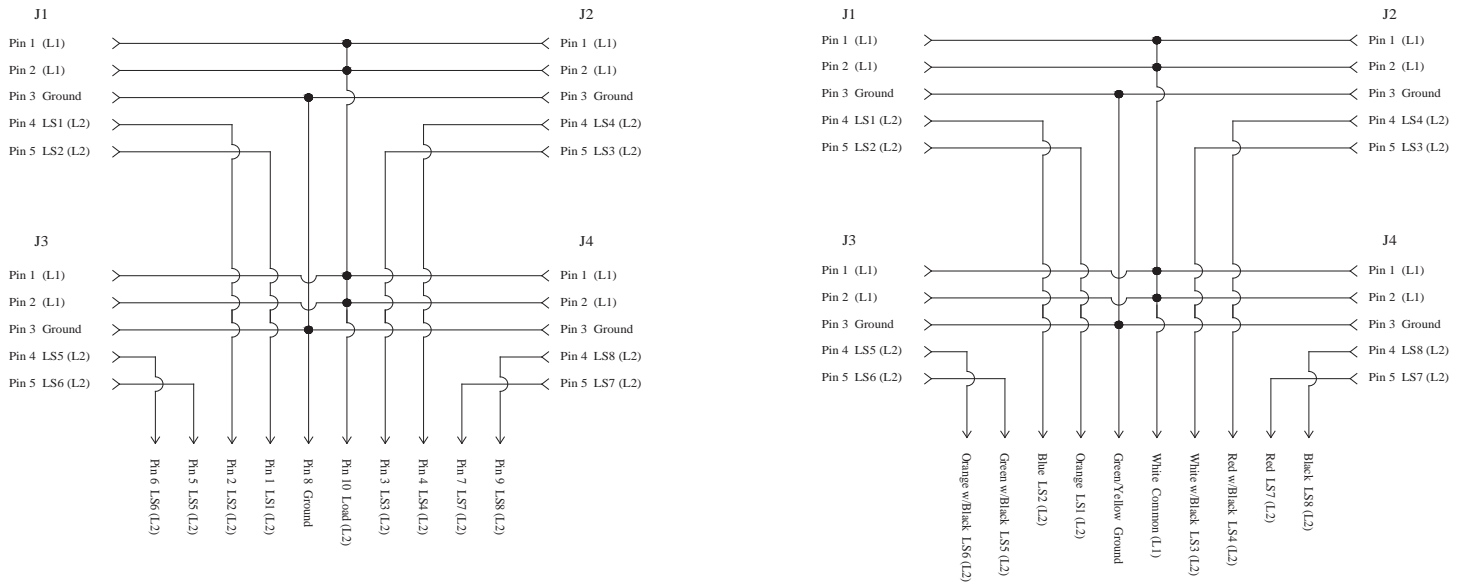
Trunk Connection	Cable Length	Part Number
MIN Receptacle	N/A	JIN-440-006-M000
Cable	3 M	JIN-440-006-C030
	6 M	JIN-440-006-C060
	10 M	JIN-440-006-C100

For Home Run Cables and Specifications please see page Q-13.

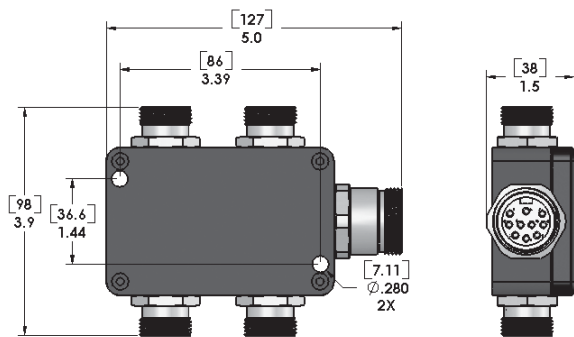
JIN Junction Blocks

JIN Junction Blocks 4 Port ❖ 5 Pin

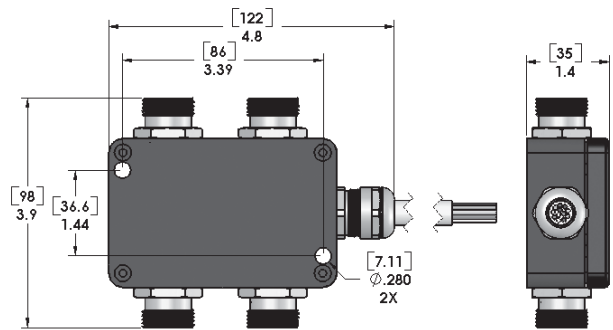
Standard Wiring ❖ MIN Receptacle ❖ Cable



MIN Receptacle



Cable

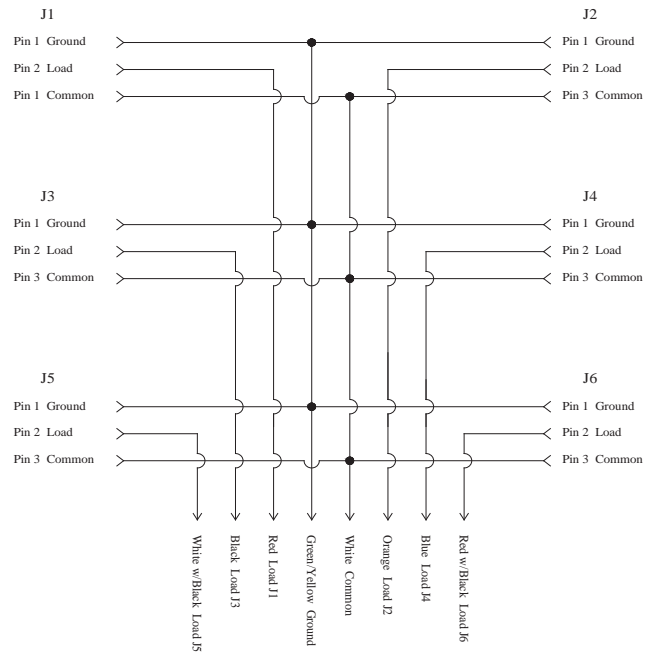
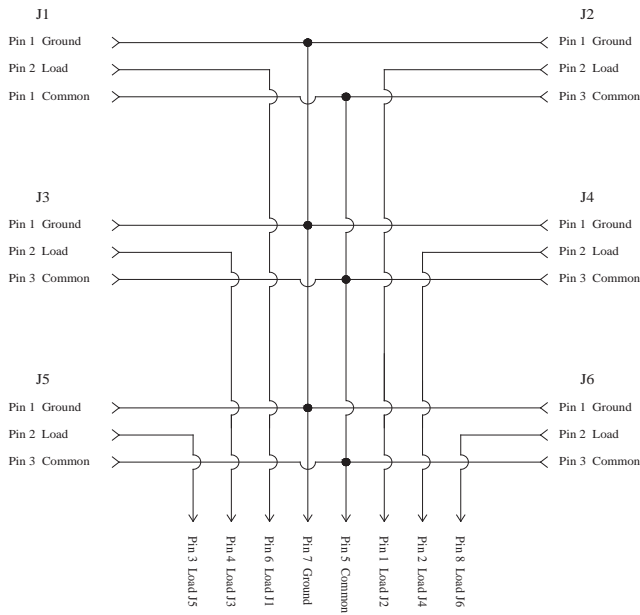


Trunk Connection	Cable Length	Part Number
MIN Receptacle	N/A	JIN-450-010-M000
Cable	3 M	JIN-450-010-C030
	6 M	JIN-450-010-C060
	10 M	JIN-450-010-C100

For Home Run Cables and Specifications please see page Q-13.

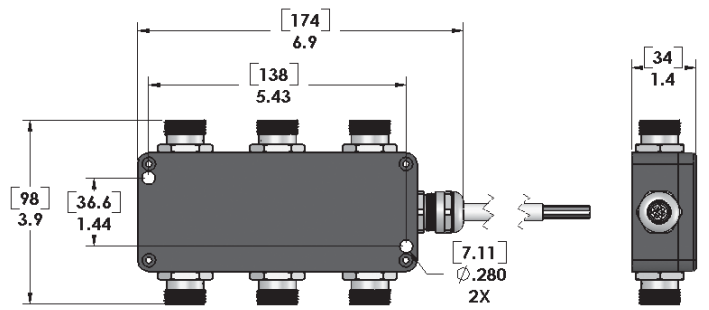
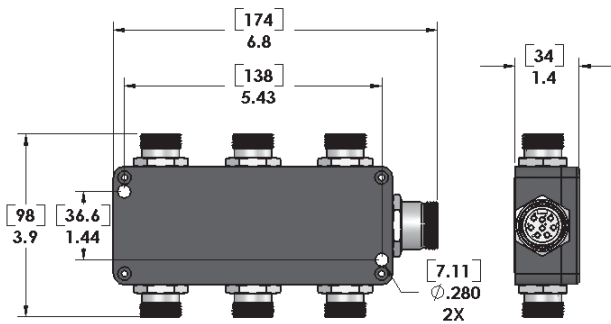
JIN Junction Blocks 6 Port ❖ 3 Pin

Standard Wiring ❖ MIN Receptacle ❖ Cable



MIN Receptacle

Cable



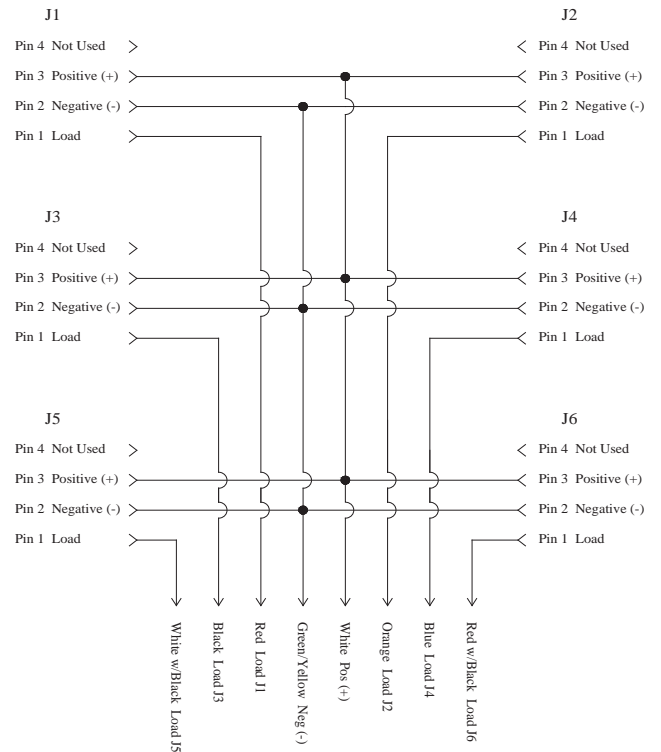
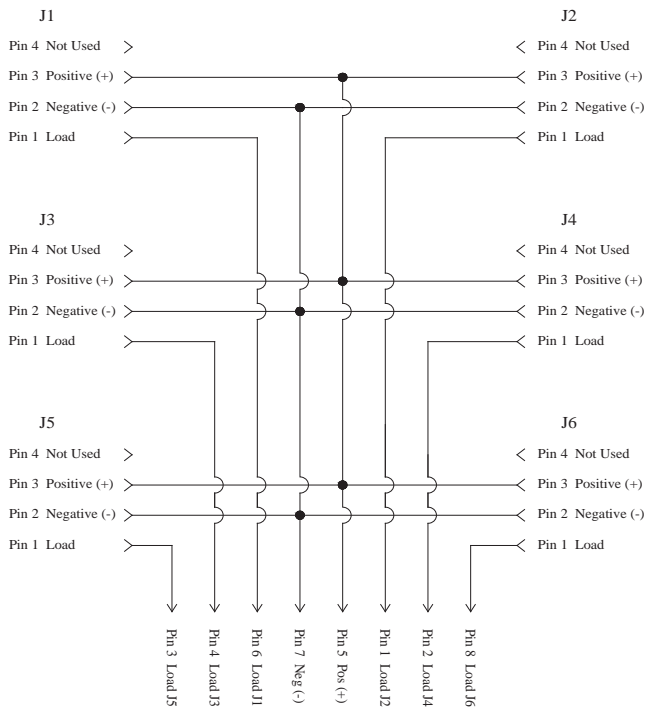
Trunk Connection	Cable Length	Part Number
MIN Receptacle	N/A	JIN-630-008-M000
Cable	3 M	JIN-630-008-C030
	6 M	JIN-630-008-C060
	10 M	JIN-630-008-C100

For Home Run Cables and Specifications please see page Q-13.

JIN Junction Blocks

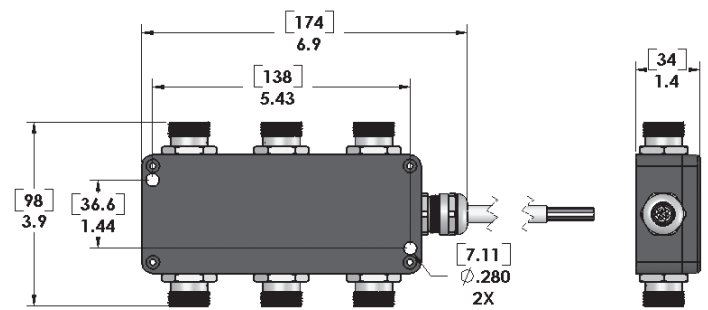
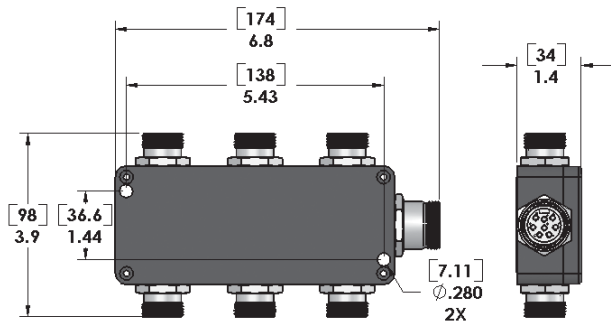
JIN Junction Blocks 6 Port ❖ 4 Pin

Standard Wiring ❖ MIN Receptacle ❖ Cable



MIN Receptacle

Cable

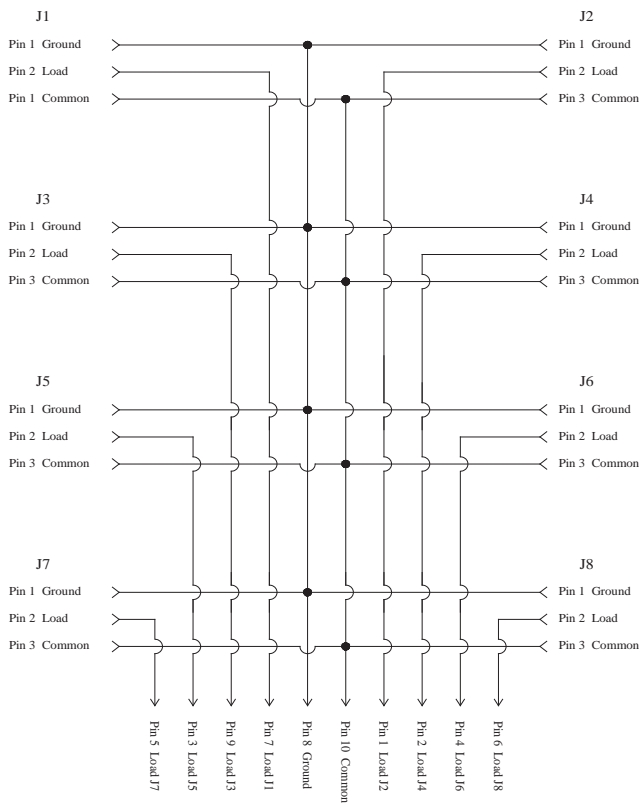


Trunk Connection	Cable Length	Part Number
MIN Receptacle	N/A	JIN-640-008-M000
Cable	3 M	JIN-640-008-C030
	6 M	JIN-640-008-C060
	10 M	JIN-640-008-C100

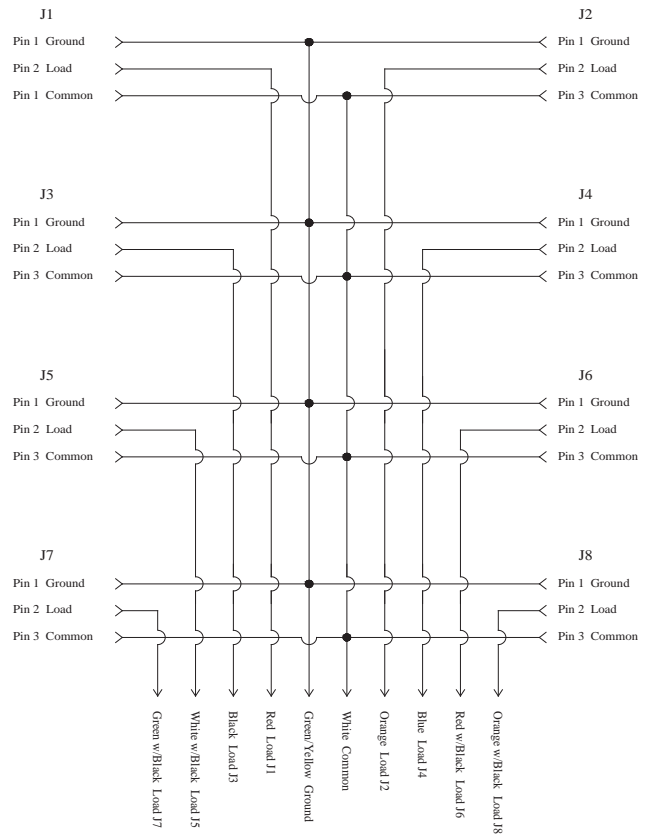
For Home Run Cables and Specifications please see page Q-13.

JIN Junction Blocks 8 Port ❖ 3 Pin

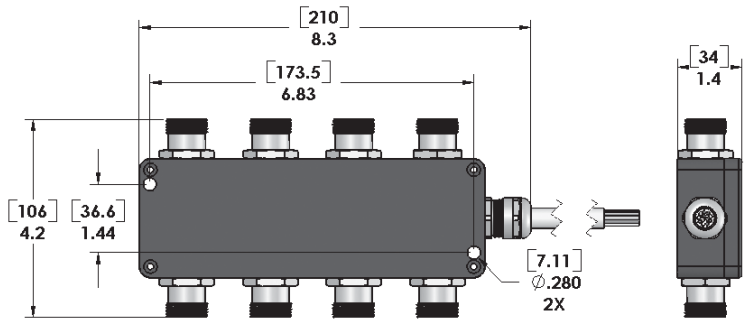
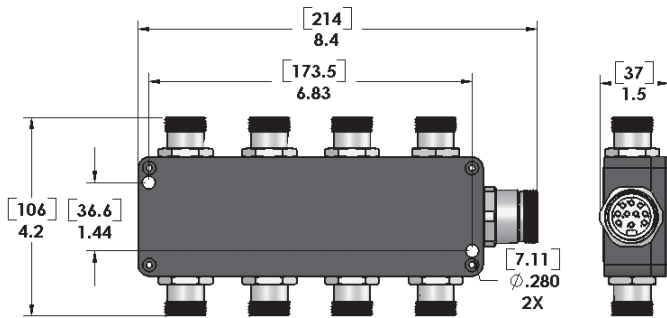
Standard Wiring ❖ MIN Receptacle ❖ Cable



MIN Receptacle



Cable



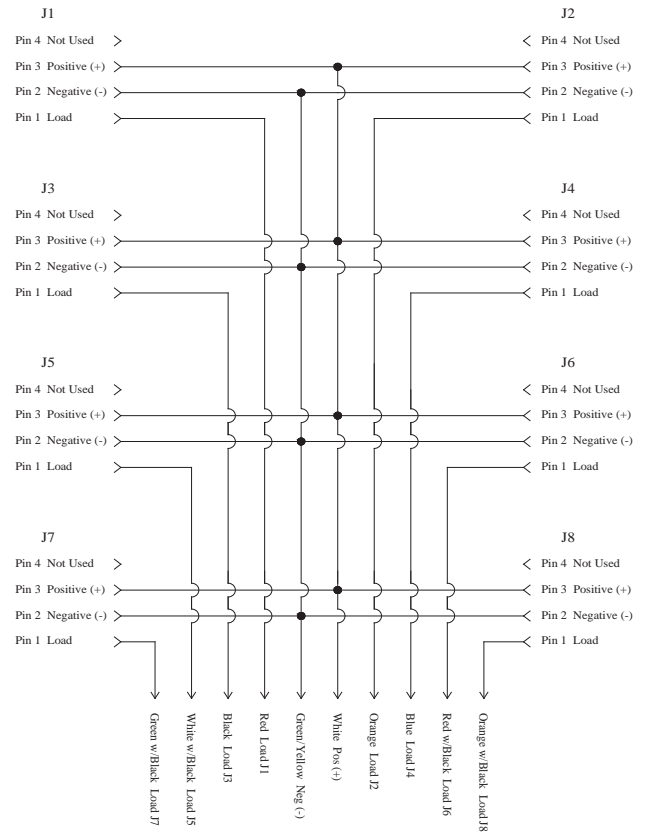
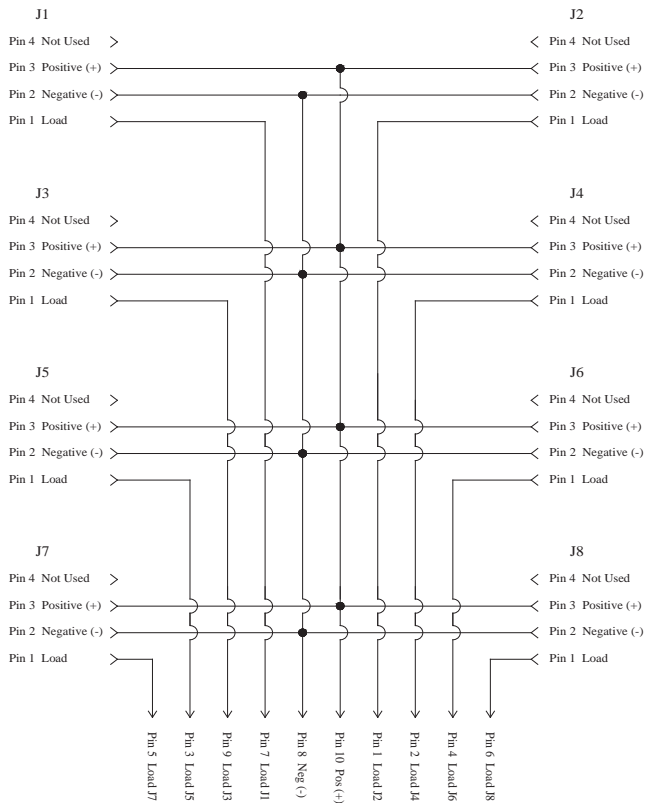
Trunk Connection	Cable Length	Part Number
MIN Receptacle	N/A	JIN-830-010-M000
Cable	3 M	JIN-830-010-C030
	6 M	JIN-830-010-C060
	10 M	JIN-830-010-C100

For Home Run Cables and Specifications please see page Q-13.

JIN Junction Blocks

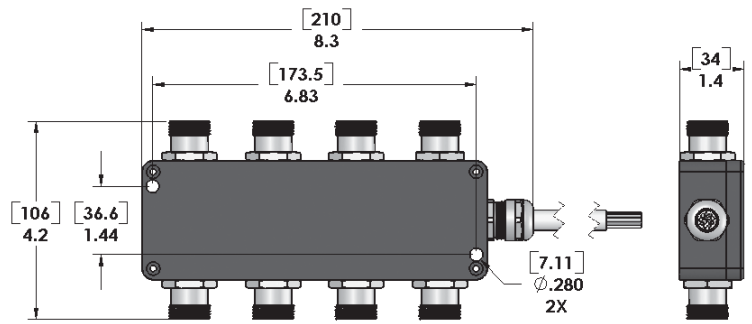
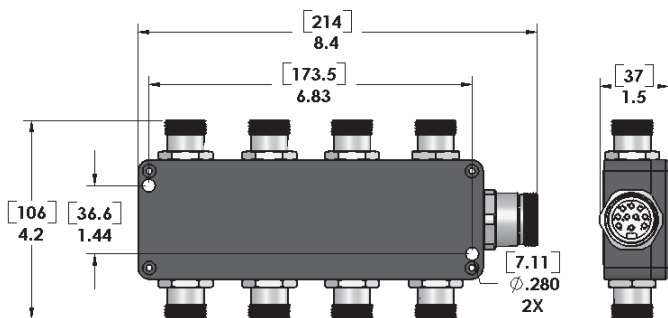
JIN Junction Blocks 8 Port ❖ 4 Pin

Standard Wiring ❖ MIN Receptacle ❖ Cable



MIN Receptacle

Cable

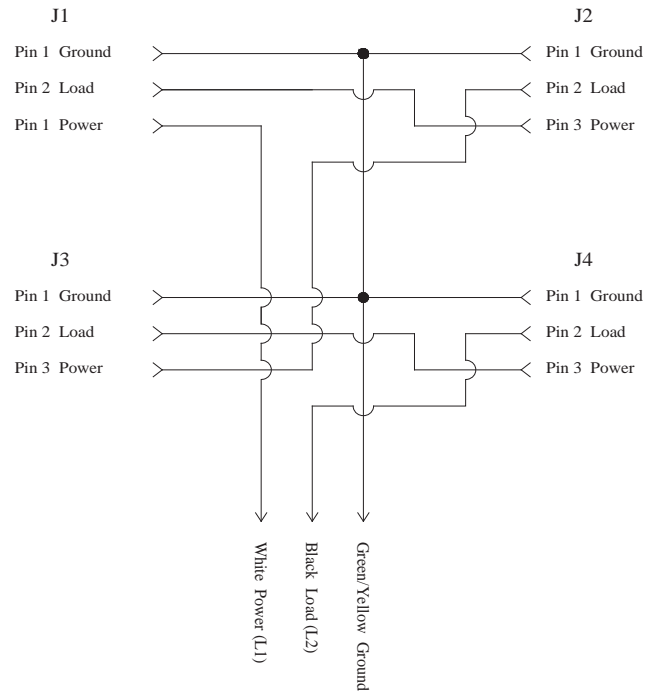
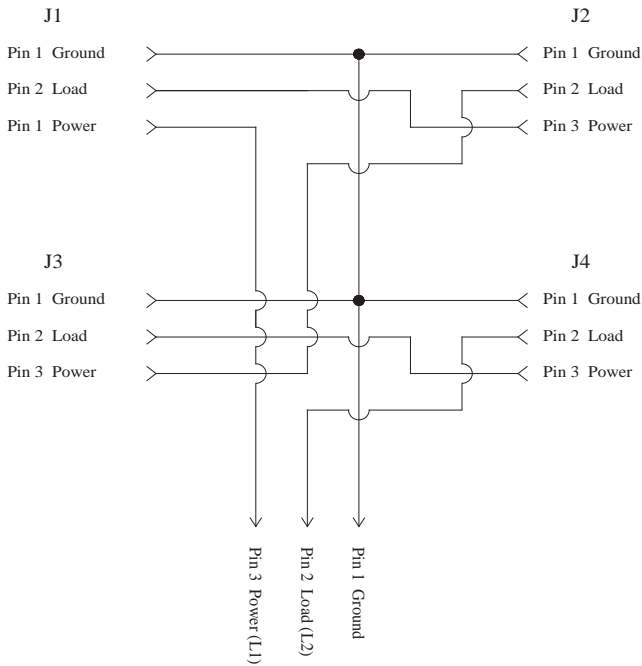


Trunk Connection	Cable Length	Part Number
MIN Receptacle	N/A	JIN-840-010-M000
Cable	3 M	JIN-840-010-C030
	6 M	JIN-840-010-C060
	10 M	JIN-840-010-C100

For Home Run Cables and Specifications please see page Q-13.

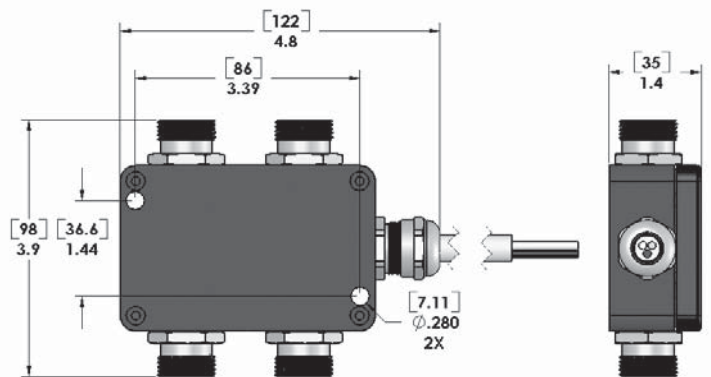
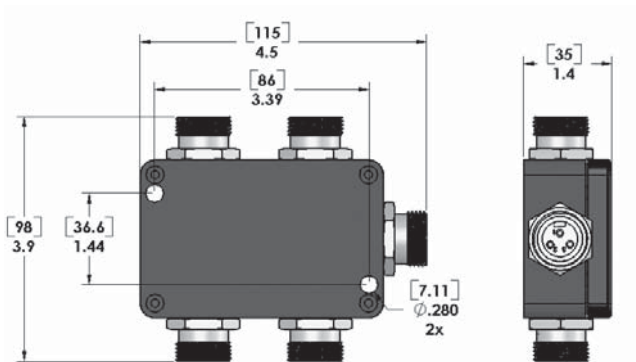
JIN Junction Blocks 4 Port ❖ 3 Pin

Series Wiring ❖ MIN Receptacle ❖ Cable



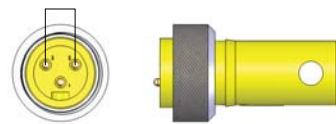
MIN Receptacle

Cable



Trunk Connection	Cable Length	Part Number
MIN Receptacle	N/A	JIN-430-003-M000
Cable	3 M	JIN-430-003-C030
	6 M	JIN-430-003-C060
	10 M	JIN-430-003-C100

Internal jumper
Pin #2 to Pin #3



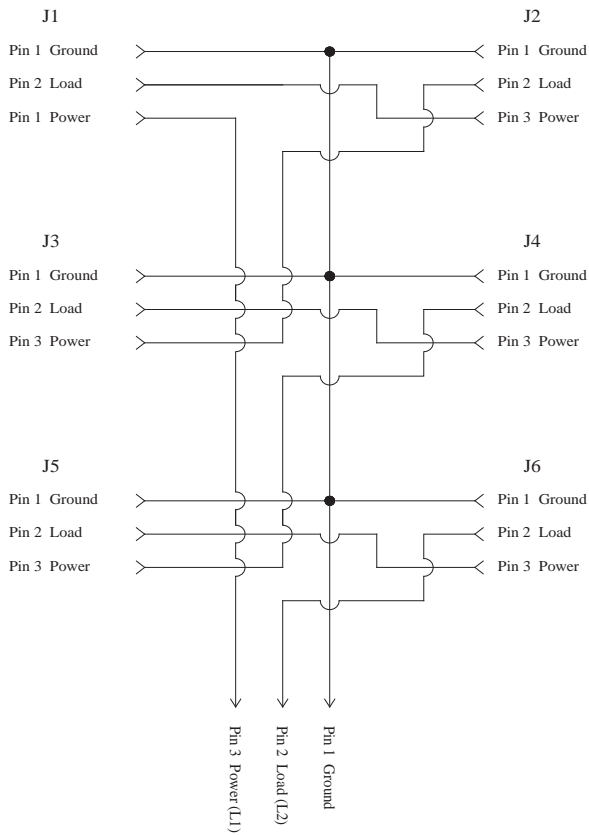
Jumper plug for use on unused inputs

For Home Run Cables and Specifications please see page Q-13.

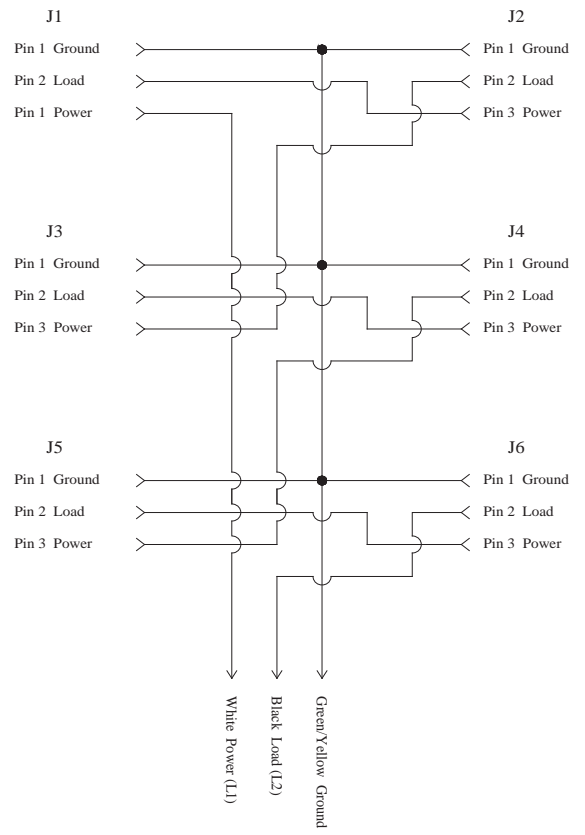
Jumper Plug Part # MIN-3MP-DP1

JIN Junction Blocks 6 Port ❖ 3 Pin

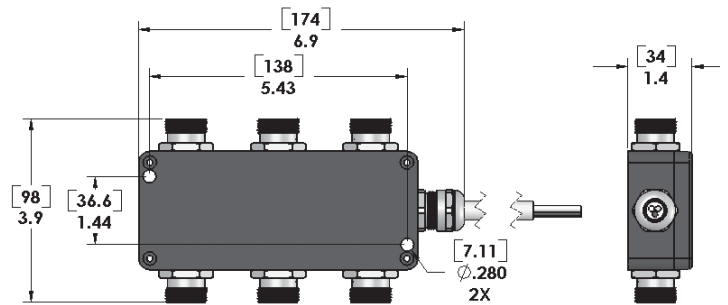
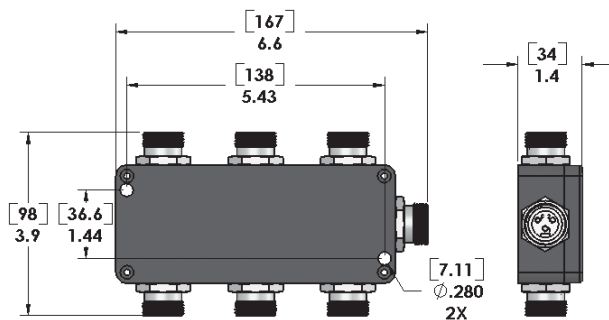
Series Wiring ❖ MIN Receptacle ❖ Cable



MIN Receptacle

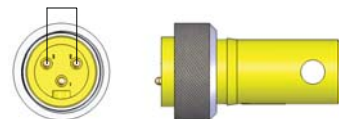


Cable



Trunk Connection	Cable Length	Part Number
MIN Receptacle	N/A	JIN-630-003-M000
Cable	3 M	JIN-630-003-C030
	6 M	JIN-630-003-C060
	10 M	JIN-630-003-C100

Internal jumper
Pin #2 to Pin #3

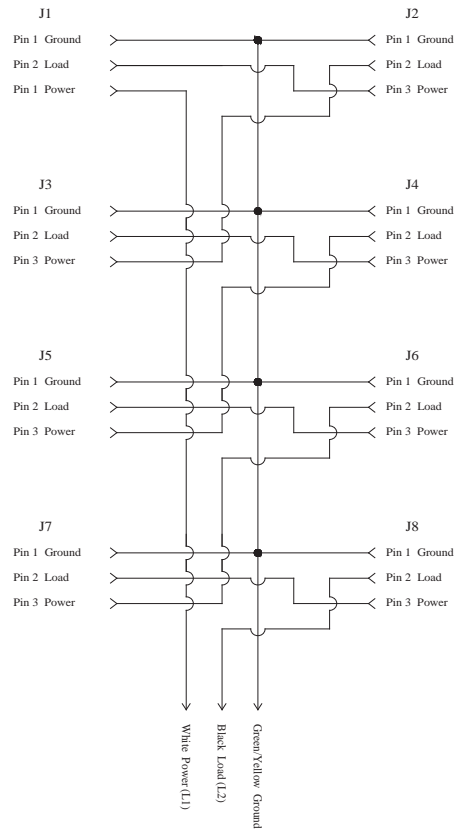
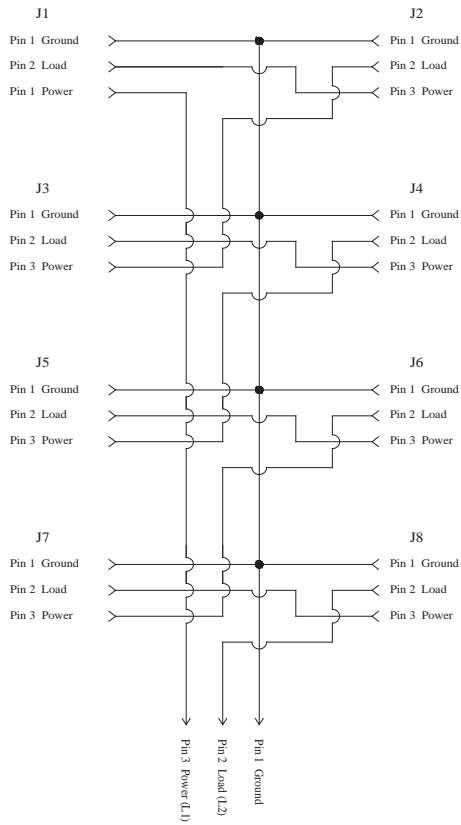


Jumper plug for use on unused inputs

For Home Run Cables and Specifications please see page Q-13.

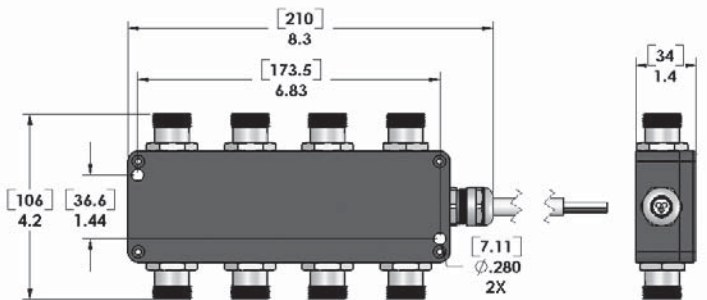
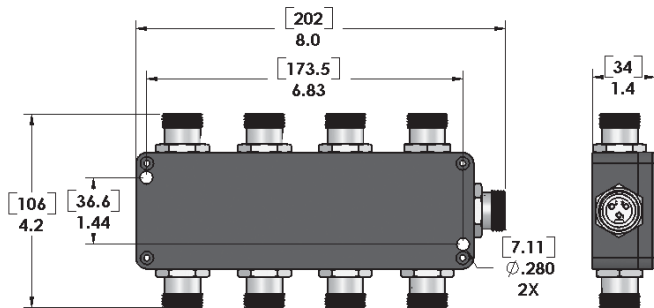
JIN Junction Blocks 8 Port ❖ 3 Pin

Series Wiring ❖ MIN Receptacle ❖ Cable



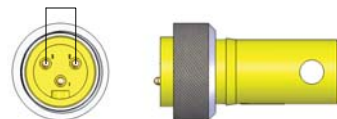
MIN Receptacle

Cable



Trunk Connection	Cable Length	Part Number
MIN Receptacle	N/A	JIN-830-003-M000
Cable	3 M	JIN-830-003-C030
	6 M	JIN-830-003-C060
	10 M	JIN-830-003-C100

Internal jumper
Pin #2 to Pin #3



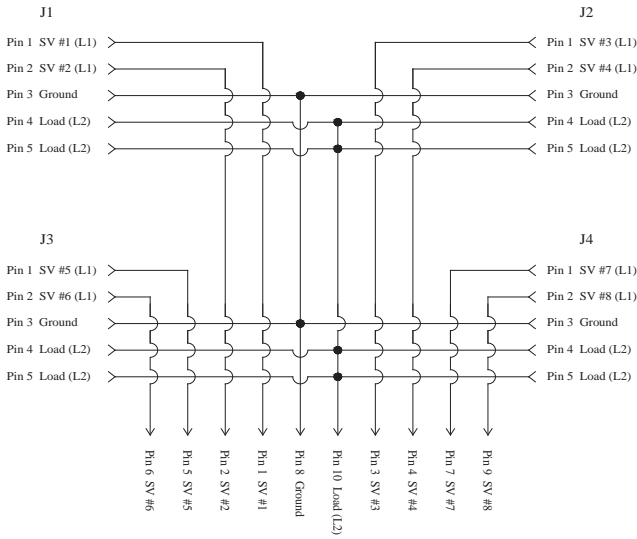
Jumper plug for use on unused inputs

For Home Run Cables and Specifications please see page Q-13.

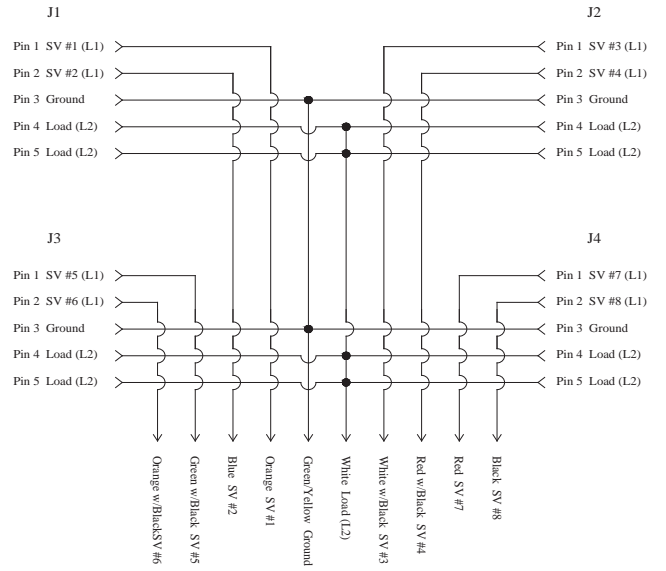
JIN Junction Blocks

JIN Junction Blocks 4 Port ❖ 5 Pin

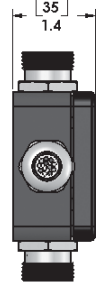
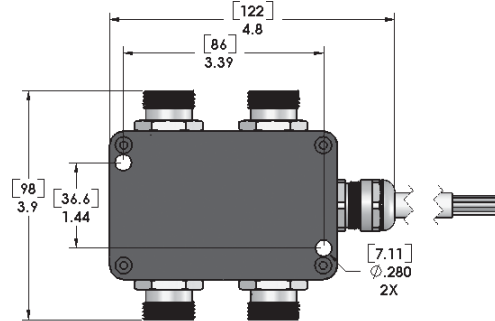
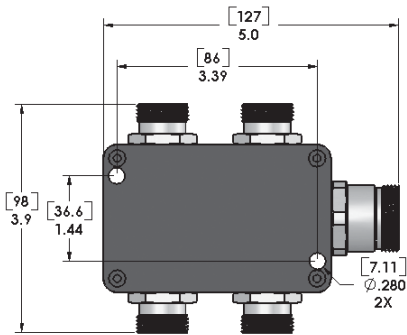
Solenoid Valve Wiring ❖ MIN Receptacle ❖ Cable



MIN Receptacle



Cable



Trunk Connection	Cable Length	Part Number
MIN Receptacle	N/A	JIN-450-V10-M000
Cable	3 M	JIN-450-V10-C030
	6 M	JIN-450-V10-C060
	10 M	JIN-450-V10-C100

For Home Run Cables and Specifications please see page Q-13.

JIN Junction Blocks Accessories

Female Home Run Cable ❖ Extension Cables❖ Female Receptacles

JIN Box Type	Single Ended Home Run Cable		Double Ended Home Run Cable		Female Receptacle	
JIN-430-006-M000	MIN-6FP-ZZ	Page Q-1	MIN-6MFP-ZZ	Page A-7	MIN-6FR1	Page B-2
JIN-440-006-M000	MIN-6FP-ZZ	Page Q-2	MIN-6MFP-ZZ	Page A-7	MIN-6FR1	Page B-2
JIN-450-010-M000	MIN-10FPX-ZZ	Page Q-3	MIN-10MFPX-ZZ	Page D-5	MIN-10FR-1-18	Page D-10
JIN-630-008-M000	MIN-8FPX-ZZ	Page Q-4	MIN-8MFPX-ZZ	Page C-4	MIN-8FR2-1-18	Page C-8
JIN-640-008-M000	MIN-8FPX-ZZ	Page Q-5	MIN-8MFPX-ZZ	Page C-4	MIN-8FR2-1-18	Page C-8
JIN-830-010-M000	MIN-10FPX-ZZ	Page Q-6	MIN-10MFPX-ZZ	Page D-5	MIN-10FR-1-18	Page D-10
JIN-840-010-M000	MIN-10FPX-ZZ	Page Q-7	MIN-10MFPX-ZZ	Page D-5	MIN-10FR-1-18	Page D-10
JIN-430-003-M000	MIN-3FP-ZZ	Page Q-8	MIN-3MFP-ZZ	Page A-7	MIN-3FR-1	Page B-2
JIN-630-003-M000	MIN-3FP-ZZ	Page Q-9	MIN-3MFP-ZZ	Page A-7	MIN-3FR-1	Page B-2
JIN-830-003-M000	MIN-3FP-ZZ	Page Q-10	MIN-3MFP-ZZ	Page A-7	MIN-3FR-1	Page B-2
JIN-450-V10-M000	MIN-10FPX-ZZ	Page Q-11	MIN-10MFPX-ZZ	Page D-5	MIN-10FR-1-18	Page D-10

Specifications:

Housing: Black Epoxy Coated Die Cast Aluminum Alloy
 Connectors: Anodized Aluminum, Oil Resistant PVC Contact Carrier
 Cable Gland: Nickel Plated Brass, Polyamide and TPE Inserts
 Contacts: Copper Alloy with Gold Plating
 Cable: 16/3 STO 600V Yellow 0.38" dia.
 18/6 AWM 2661 300V, Yellow 0.32" dia.
 18/8 AWM 2661 300V, Yellow 0.35" dia.
 18/10 AWM 2661 300V, Yellow 0.40" dia.
 Temperature: -30°C to +80°C (-22°F to +176°F)
 Protection: IP67
 Amperage: 4A per Port, 8A per Unit

