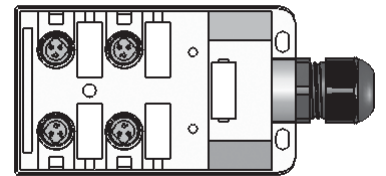


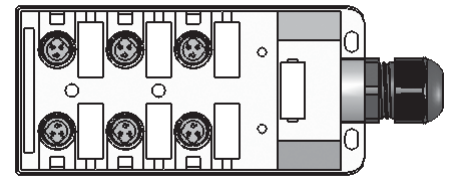


# JAC Junction Blocks Micro-AC Series

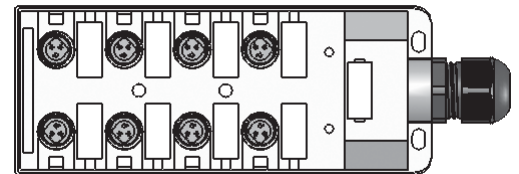
4 Port..... 4-5



6 Port..... 6-7



8 Port..... 8-9

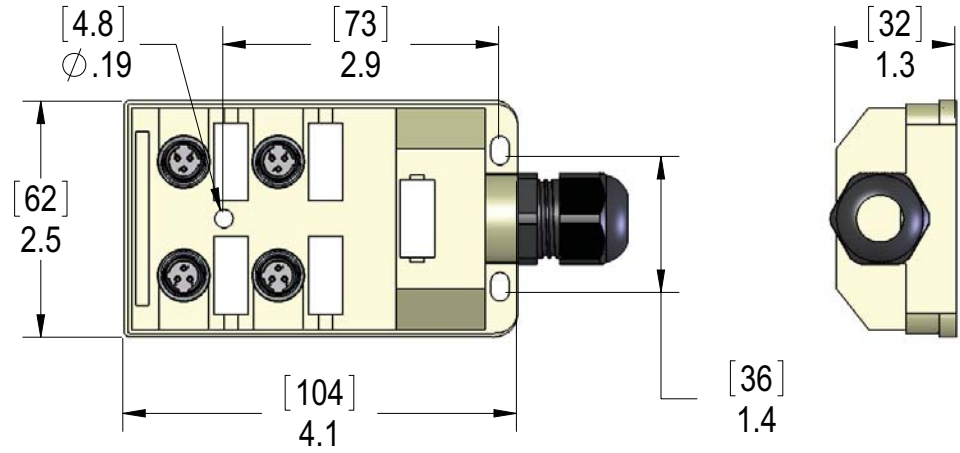


JAC Junction Blocks

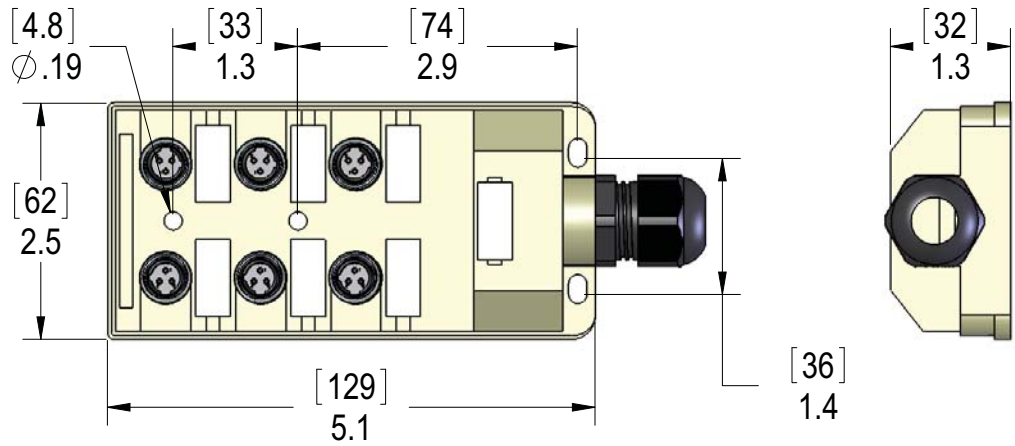
# JAC Junction Blocks

4, 6, & 8 Port ❖ 3 Pin

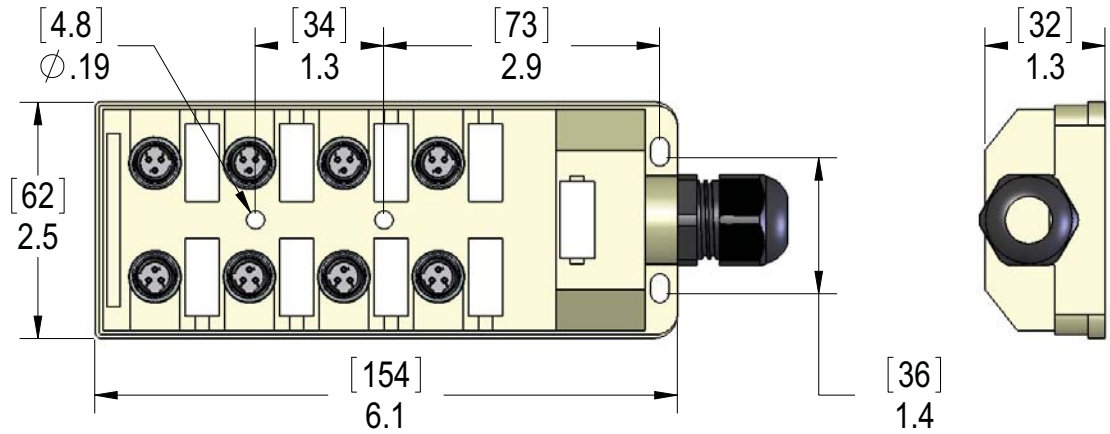
4 Port



6 Port



8 Port

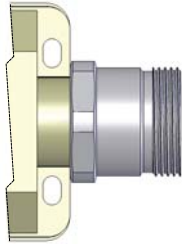


JAC Junction Blocks

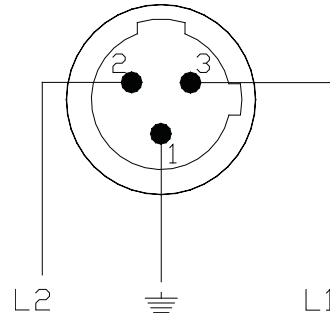
# JAC Junction Blocks

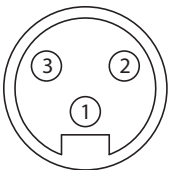
4, 6, & 8 Port ❖ 3 Pin

MIN Receptacle



Port Connection



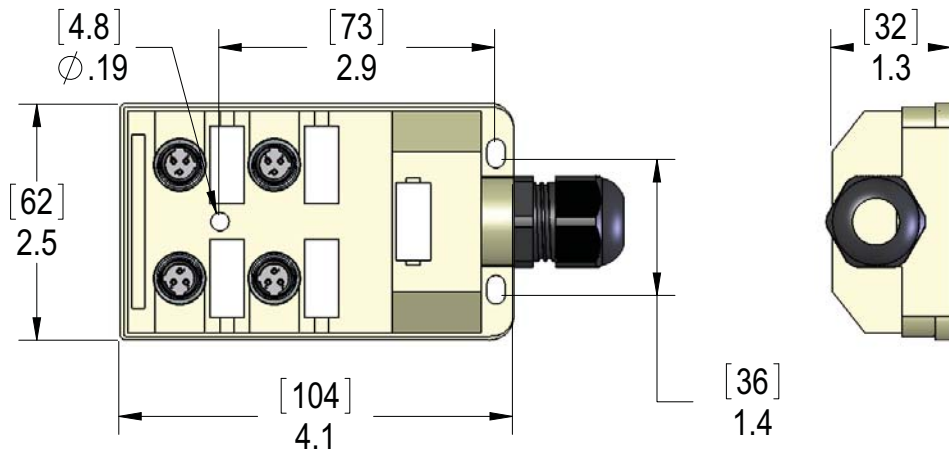
24 - 120 VDC				
Face View of Trunk Male Connection	Trunk Connection	Number of Ports	JAC Version Part Numbers	Mating Cable Part Number
	MIN Receptacle	4 6 8	JAC-430-003-M000 JAC-630-003-M000 JAC-830-003-M000	MIN-3FP-ZZ

"ZZ" is equal to the cable length.

PIN Connection	
MIN PIN #	All Ports PIN #
1	1 (Ground)
2	2 (L2)
3	3 (L1)

# JAC Junction Blocks 4 Port ❖ 3 Pin

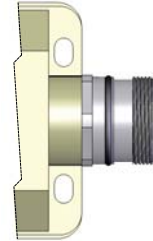
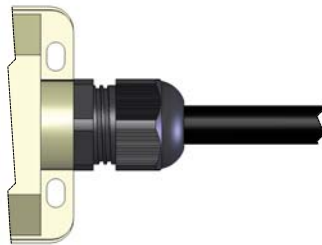
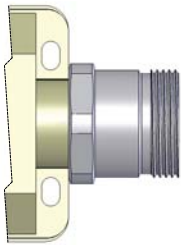
MIN Receptacle ❖ Cable ❖ M23 Receptacle



MIN Receptacle

Cable

M23 Receptacle

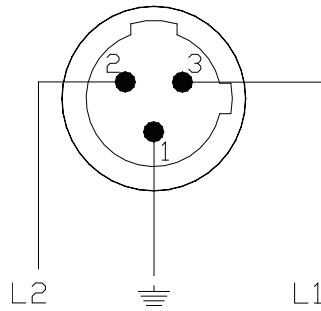


JAC Junction Blocks

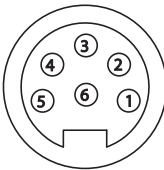
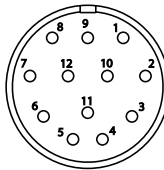
24 - 120 Volt		
Trunk Connection	Length	Part Number
		No LED
MIN-6MR Receptacle	N/A	JAC-430-006-M000
Cable	5 M	JAC-430-006-C050
	10 M	JAC-430-006-C100
M23 Receptacle	N/A	JAC-430-012-V000

# JAC Junction Blocks 4 Port ❖ 3 Pin

MIN Receptacle ❖ Cable ❖ M23 Receptacle



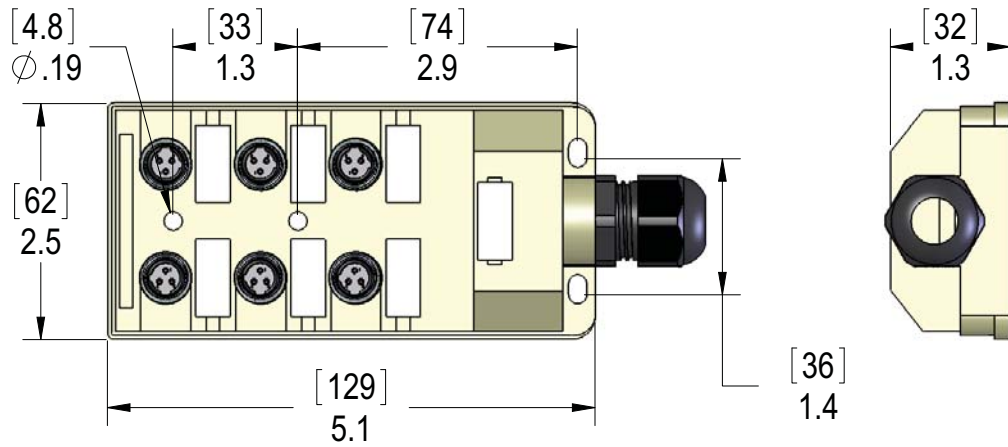
No LED Version

Function	MIN-6MR Receptacle Version	12 Pin M23 Receptacle Version	Cable
			Cable O.D. 0.32"
Ground	PIN #3	PIN #7	Green/Yellow
ALL PORTS PIN 3 (L1)	PIN #1	PIN #5	White
PORT 1 PIN 2 (L2)	PIN #2	PIN #6	Red
PORT 2 PIN 2 (L2)	PIN #4	PIN #1	Orange
PORT 3 PIN 2 (L2)	PIN #5	PIN #4	Black
PORT 4 PIN 2 (L2)	PIN #6	PIN #2	Blue
Mating Plug	MIN-6FP-ZZ	MCV-12FP-ZZ	

"ZZ" is equal to the cable length.

# JAC Junction Blocks 6 Port ❖ 3 Pin

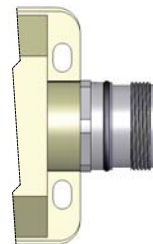
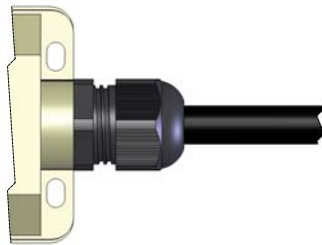
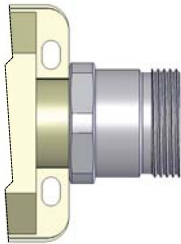
MIN Receptacle ❖ Cable ❖ M23 Receptacle



MIN Receptacle

Cable

M23 Receptacle

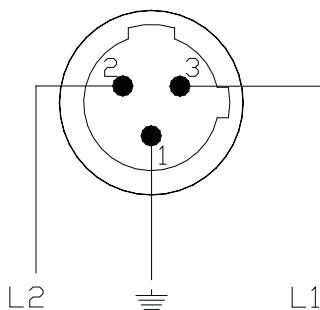


JAC Junction Blocks

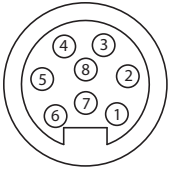
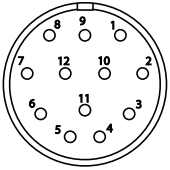
24 - 120 Volt		
Trunk Connection	Length	Part Number
		No LED
MIN-8MR Receptacle	N/A	JAC-630-008-M000
Cable	5 M	JAC-630-008-C050
	10 M	JAC-630-008-C100
M23 Receptacle	N/A	JAC-630-012-V000

# JAC Junction Blocks 6 Port ❖ 3 Pin

MIN Receptacle ❖ Cable ❖ M23 Receptacle



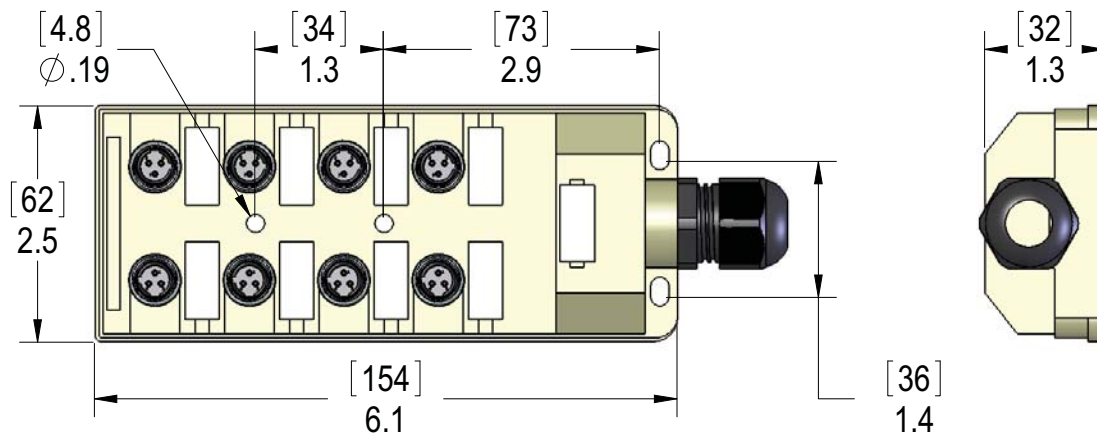
No LED Version

Function	MIN-8MR Receptacle Version	12 Pin M23 Receptacle Version	Cable
			Cable O.D. 0.35"
Ground	PIN #7	PIN #7	Green/Yellow
ALL PORTS PIN 3 (L1)	PIN #5	PIN #5	White
PORT 1 PIN 2 (L2)	PIN #6	PIN #6	Red
PORT 2 PIN 2 (L2)	PIN #1	PIN #1	Orange
PORT 3 PIN 2 (L2)	PIN #4	PIN #4	Black
PORT 4 PIN 2 (L2)	PIN #2	PIN #2	Blue
PORT 5 PIN 2 (L2)	PIN #3	PIN #3	White/Black
PORT 6 PIN 2 (L2)	PIN #8	PIN #8	Red/Black
Mating Plug	MIN-8FPX-xx	MCV-12FP-ZZ	

"ZZ" is equal to the cable length.

# JAC Junction Blocks 8 Port ❖ 3 Pin

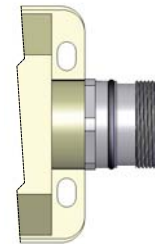
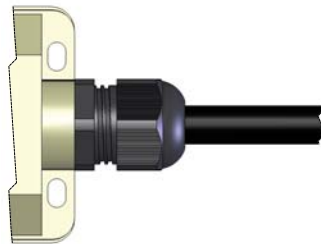
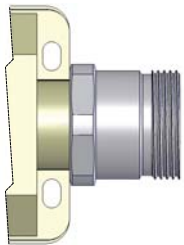
MIN Receptacle ❖ Cable ❖ M23 Receptacle



MIN Receptacle

Cable

M23 Receptacle



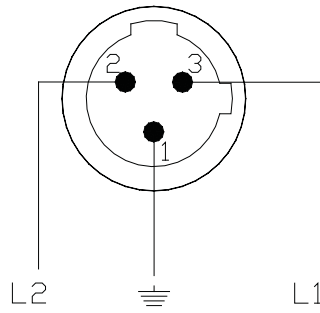
JAC Junction Blocks

24 - 120 Volt		
Trunk Connection	Length	Part Number
		No LED
MIN-10MR Receptacle	N/A	JAC-830-010-M000
Cable	5 M 10 M	JAC-830-010-C050 JAC-830-010-C100
M23 Receptacle	N/A	JAC-830-012-V000

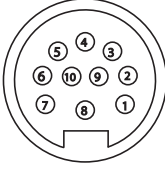
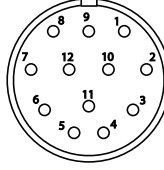


# JAC Junction Blocks 8 Port ❖ 3 Pin

MIN Receptacle ❖ Cable ❖ M23 Receptacle



No LED Version

Function	MIN-10MR Receptacle Version	12 Pin M23 Receptacle Version	Cable
			Cable O.D. 0.40"
Ground	PIN #8	PIN #7	Green/Yellow
ALL PORTS PIN 3 (L1)	PIN #10	PIN #5	White
PORT 1 PIN 2 (L2)	PIN #7	PIN #6	Red
PORT 2 PIN 2 (L2)	PIN #1	PIN #1	Orange
PORT 3 PIN 2 (L2)	PIN #9	PIN #4	Black
PORT 4 PIN 2 (L2)	PIN #2	PIN #2	Blue
PORT 5 PIN 2 (L2)	PIN #3	PIN #3	White/Black
PORT 6 PIN 2 (L2)	PIN #4	PIN #8	Red/Black
PORT 7 PIN 2 (L2)	PIN #5	PIN #9	Green/Black
PORT 8 PIN 2 (L2)	PIN #6	PIN #10	Orange/Black
Mating Plug	MIN-10FPX-ZZ	MCV-12FP-ZZ	

"ZZ" is equal to the cable length.

