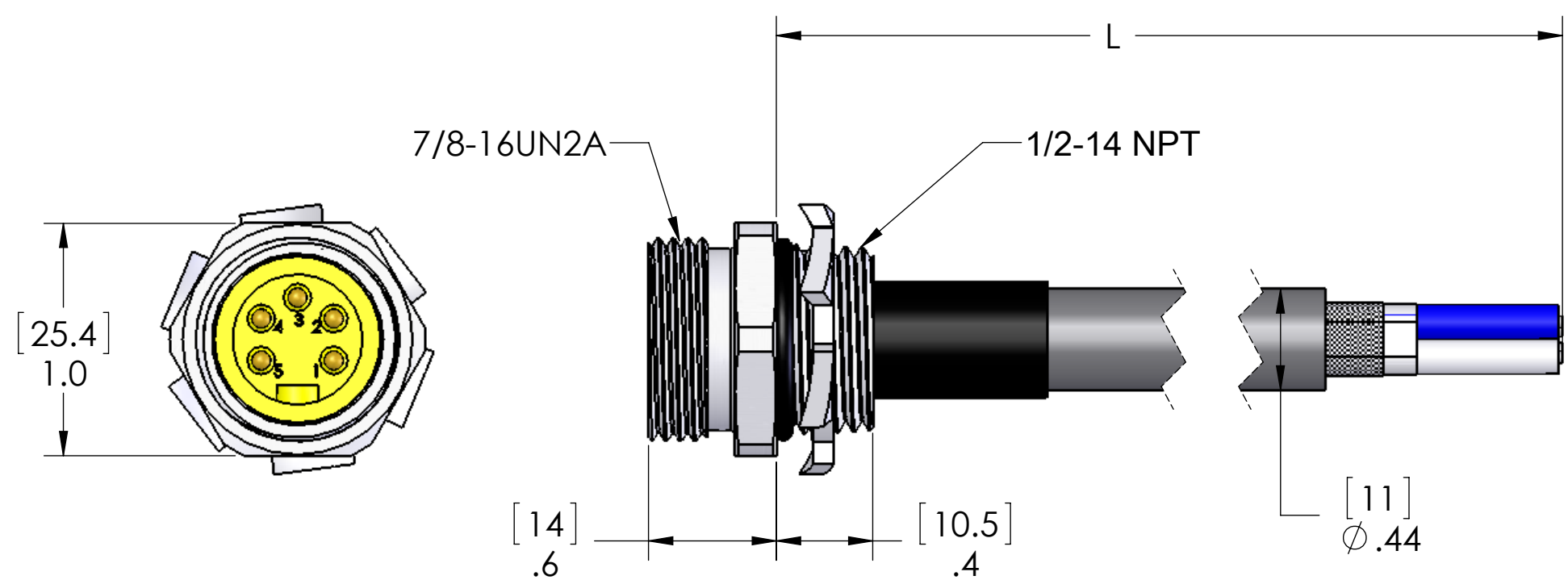


PIN #	COLOR
1	DRAIN
2	RED
3	BLACK
4	WHITE
5	BLUE

REVISIONS			
REV.	DESCRIPTION	DATE	APPROVED
A	DRAWN IN SW	4/16/2014	BEM



P/N	L
MINDT-5MR-1M	40" [1M]
MINDT-5MR-2M	79" [2M]
MINDT-5MR-5M	197" [5M]
MINDT-5MR-6M	236" [6M]
MINDT-5MR-8M	315" [8M]
MINDT-5MR-10M	393" [10M]
MINDT-5MR-15M	590" [15M]

MATERIALS:	
BODY:	CLEAR ANODIZED ALUMINUM
CONTACTS:	GOLD PLATED COPPER ALLOY
WIRE:	15/2, 18/2 DEVICENET TRUNK CABLE
INSERT:	YELLOW PVC
ORING:	NBR
HEAT SHRINK:	POLYOLEFIN
LOCK NUT:	ZINC PLATED STEEL

**PROPRIETARY AND CONFIDENTIAL**  
 THE INFORMATION CONTAINED IN THIS DRAWING IS THE SOLE PROPERTY OF MENCOM CORPORATION. ANY REPRODUCTION IN PART OR AS A WHOLE WITHOUT THE WRITTEN PERMISSION OF MENCOM CORPORATION IS PROHIBITED.

VOLTS	300V
AMPS	8A
TEMP	80°C
APPLICATION	DO NOT SCALE DRAWING

UNLESS OTHERWISE SPECIFIED:		NAME
DIMENSIONS ARE IN INCHES AND [MM]	DRAWN	JJH
	CHECKED	
	ENG APPR.	
	MFG APPR.	
	Q.A.	
	COMMENTS:	

MENCOM CORPORATION		
TITLE: 5 POL MALE DNET RECP		
SIZE <b>B</b>	DWG. NO. MINDT-5MR-ZZ	REV <b>A</b>
SCALE: 3:2	WEIGHT:	SHEET 1 OF 1